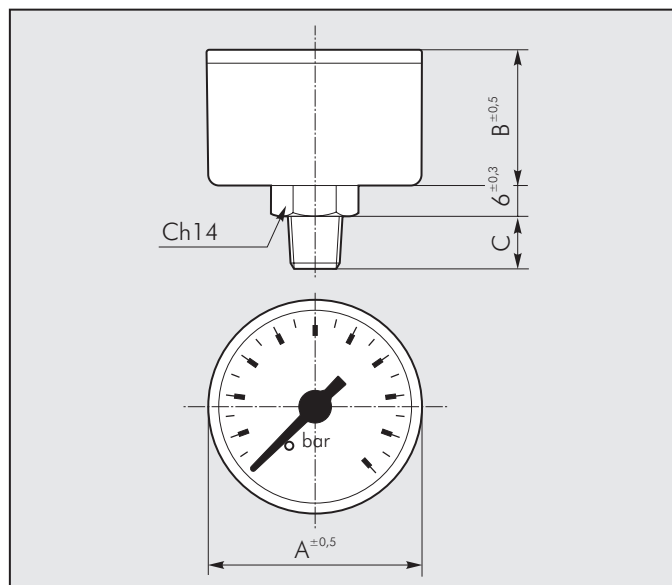
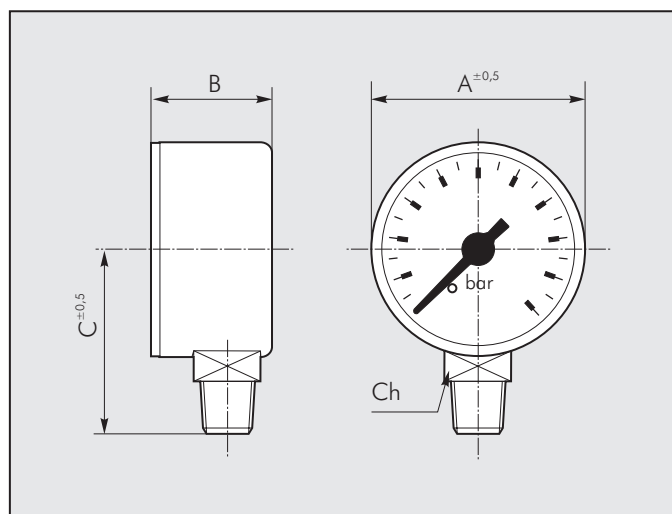


MANOMETRES A PRISE ARRIERE CENTREE - CODIFICATION ET ENCOMBREMENTS



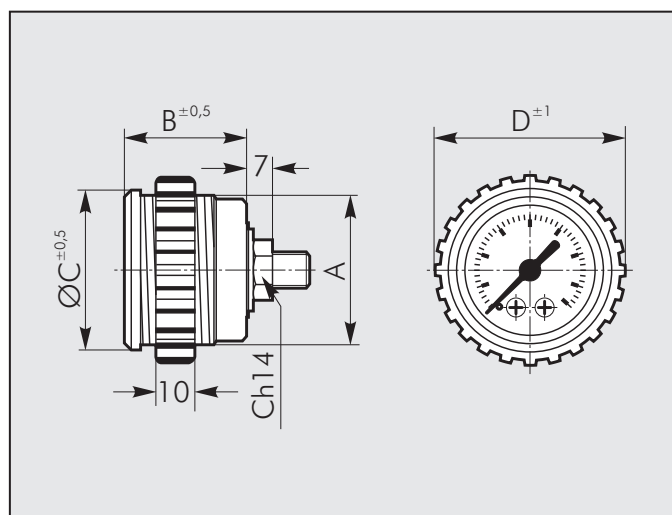
Code	Désignation	A	B	C
Z419700101	Ø40 R1/8 0-1 BAR/PSI	40	25	11
Z419700103	Ø40 R1/8 0-2,5 BAR/PSI	40	25	11
9700102	Ø40 R1/8 0-4 BAR/PSI	40	25	11
Z419700105	Ø40 R1/8 0-6 BAR/PSI	40	25	11
9700101	Ø40 R1/8 0-12 BAR/PSI	40	25	11
Z419700108	Ø40 R1/8 0-16 BAR/PSI	40	25	11
Z419700109	Ø40 R1/8 0-20 BAR/PSI	40	25	11
Z419800103	Ø50 R1/8 0-2,5 BAR/PSI	51	25	11
9800102	Ø50 R1/8 0-4 BAR/PSI	51	25	11
9800101	Ø50 R1/8 0-12 BAR/PSI	51	25	11
9900101	Ø63 R1/4 0-12 BAR/PSI	63	25	15

MANOMETRES A PRISE RADIALE - CODIFICATION ET ENCOMBREMENTS



Code	Désignation	A	B	C	Ch
Z419760104	Ø40 R1/8 0-4 BAR/PSI	40	23,5	35	12
Z419760107	Ø40 R1/8 0-12 BAR/PSI	40	23,5	35	12
Z419760108	Ø40 R1/8 0-16 BAR/PSI	40	23,5	35	12
Z419860107	Ø50 R1/8 0-12 BAR/PSI	52	28,5	48	14

MANOMETRES A MONTAGE PANNEAU - CODIFICATION ET ENCOMBREMENTS



Code	Désignation	A	B	C	D
Z419730104	Ø40 G1/8B 0-2,5 BAR/PSI	40	32	43	50
Z419730105	Ø40 G1/8B 0-6 BAR/PSI	40	32	43	50
Z419730107	Ø40 G1/8B 0-12 BAR/PSI	40	32	43	50
Z419830103	Ø50 G1/8B 0-2,5 BAR/PSI	50	32	54,5	60
Z419830104	Ø50 G1/8B 0-4 BAR/PSI	50	32	54,5	60
Z419830105	Ø50 G1/8B 0-6 BAR/PSI	50	32	54,5	60
Z419830106	Ø50 G1/8B 0-10 BAR/PSI	50	32	54,5	60
Z419830107	Ø50 G1/8B 0-12 BAR/PSI	50	32	54,5	60