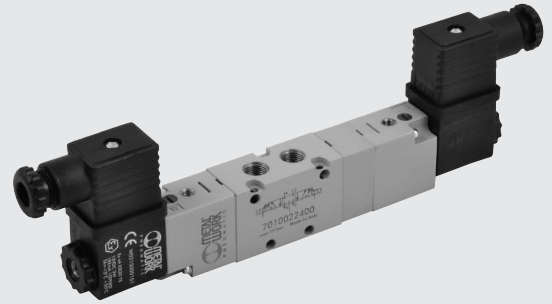


VALVES SERIES 70, SOLENOID/PNEUMATIC



TECHNICAL DATA		1/8"	1/4"	3/8"	1/2"
Operating pressure:					
• monostable	bar	from 2.5 to 10			
• bistable	bar	from 1 to 10			
• asserved	bar	from vacuum to 10			
Minimum pilot pressure	bar	2.5			
Operating temperature range					
	°C	from -10 to +60			
Nominal diameter	mm	5	7.5	13.3	15
Conductance C	Nl/min · bar	121.43	264.26	505.52	971.43
Critical ratio b	bar/bar	0.32	0.27	0.32	0.43
Flow rate at 6 bar ΔP 0.5 bar	Nl/min	400	750	1560	3200
Flow rate at 6 bar ΔP 1 bar	Nl/min	550	1100	2150	4600
TRA / TRR monostable at 6 bar	ms	15/35	19/45	21/72	36/60
TRA / TRR bistable at 6 bar	ms	20/20	21/21	18/18	30/30
Hand operation		bistable			
Coil voltage values		12; 24 VDC - 24; 110; 220 VAC 50/60Hz			
Power		2 W (DC) 3VA (AC)			
Voltage tolerance	%	from -10 to +15			
Insulation class		F 155			
Maximum coil nut torque	Nm	1			



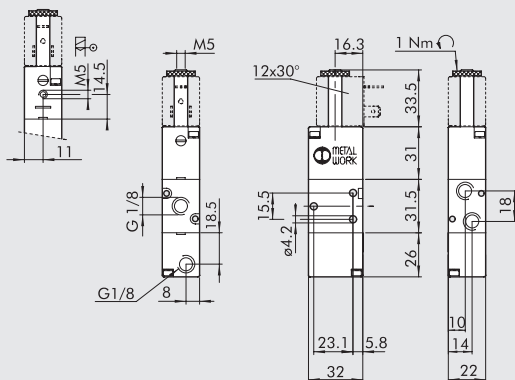
SYNOPTIC, SIZES AND VERSION

SO V		2		3		SO		S		NC	
FAMILY		DIMENSIONS		FUNCTION		OPERATORS 14		RESETTING (12)		FURTHER DETAILS	
SO V	solenoid/ pneumatic	2	1/8"	3	3/2	SO	solenoid	S	mechanical springs	NC	normally closed
		3	1/4"	5	5/2	SE	solenoid assisted	B	bistable	NO	normally open
		C	3/8"	6	5/3			D	differential	CC	closed centres
		4	1/2"					P	pneumatic	OC	open centres
								◆ A	pneumatic/mechanical spring	PC	pressure centres
								L	pneumatic spring	OO	no indication
										▲ SP	special
										▲ ML	hand lever operator

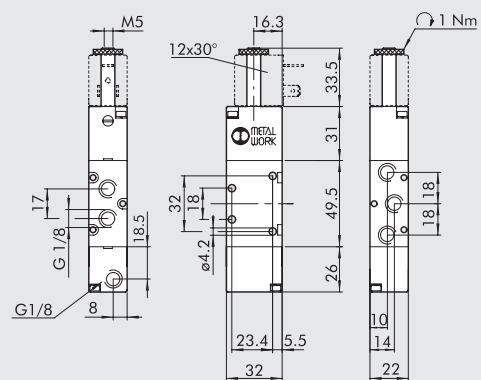
- ◆ On demand
- ▲ Only available for size 1/8", 1/4" and 3/8"

VALVES SERIES 70, SOLENOID/PNEUMATIC, PILOT-ASSISTED SOLENOID/PNEUMATIC, 1/8"

MONOSTABLE 3/2 NC, 1/8" PNEUMATIC RETURN



MONOSTABLE 5/2, 1/8" PNEUMATIC RETURN

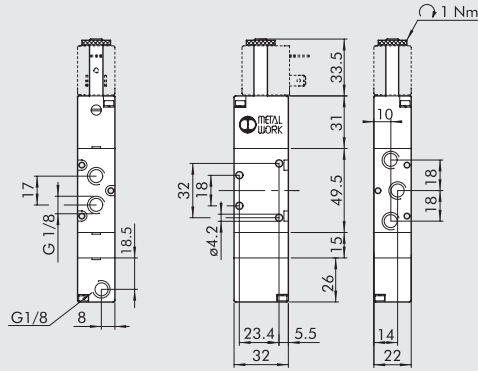


Symbol	Code	Abbrev.	Weight [g]
	7010020800	SOV 23 SOP NC	114
	7010020510	SOV 23 SEP NC	114

Symbol	Code	Abbrev.	Weight [g]
	7010021501	SOV 25 SOP OO	142

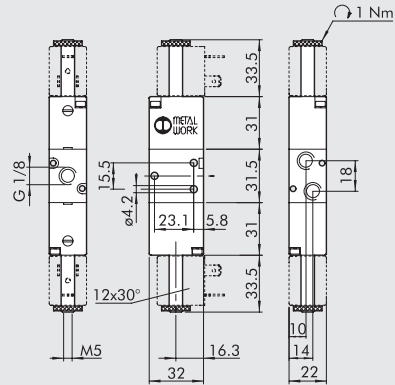
Please contact our sales offices for further information and quotation.

MONOSTABLE 5/3, 1/8" PNEUMATIC RETURN



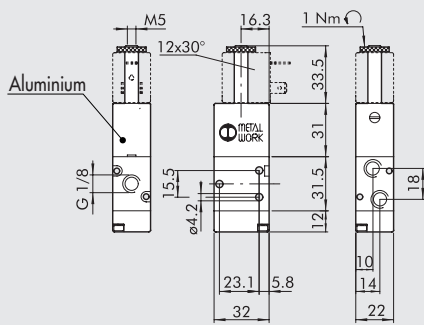
Symbol	Code	Abbrev.	Weight [g]
	7010022800	SOV 26 SOP CC	204

BISTABLE DIFFERENTIAL 3/2, 1/8"



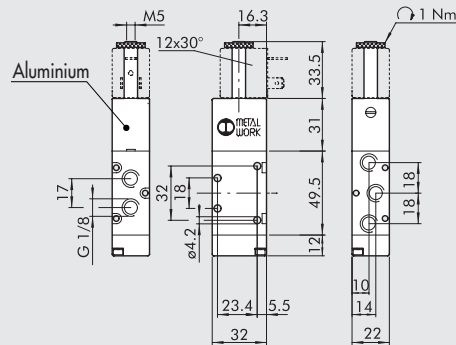
Symbol	Code	Abbrev.	Weight [g]
	8287210	SOV 23 SOD NC	135

MONOSTABLE 3/2, NC 1/8" HAND-OPERATED ON THE FEED SIDE



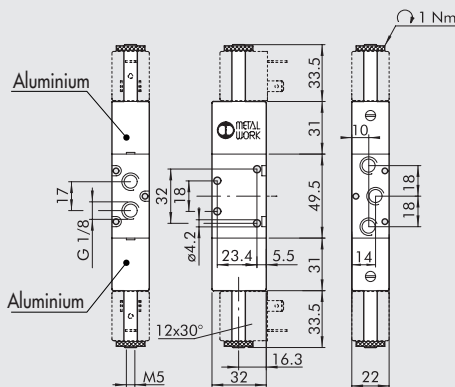
Symbol	Code	Abbrev.	Weight [g]
	8830195	SOV 23 SOS SP	100

MONOSTABLE 5/2, 1/8" HAND-OPERATED ON THE FEED SIDE



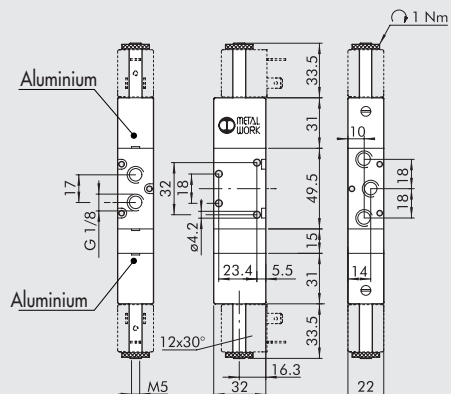
Symbol	Code	Abbrev.	Weight [g]
	8286807	SOV 25 SOS SP	128

BISTABLE 5/2, 1/8" HAND-OPERATED ON THE FEED SIDE



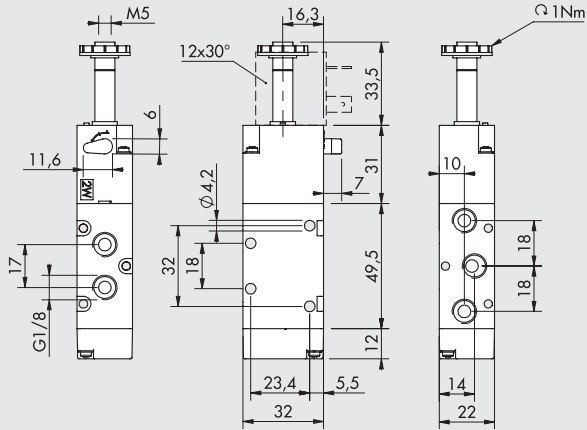
Symbol	Code	Abbrev.	Weight [g]
	8286808	SOV 25 SOB SP	160

MONOSTABLE 5/3, 1/8" HAND-OPERATED ON THE FEED SIDE

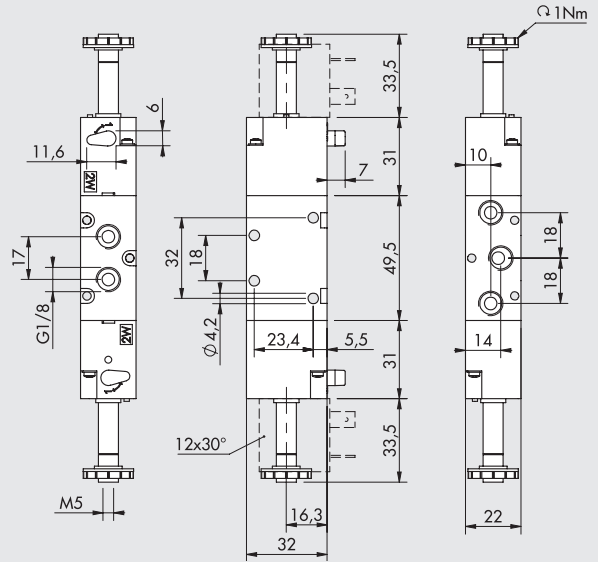


Symbol	Code	Abbrev.	Weight [g]
	8286911	SOV 26 SOS SP	190

MONOSTABLE 5/2 1/8" HAND LEVER OPERATOR



BISTABLE 5/2 1/8" HAND LEVER OPERATOR

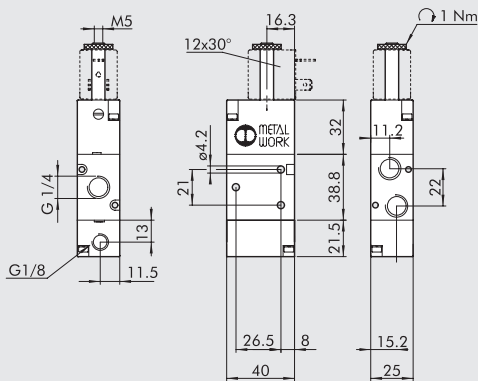


Symbol	Code	Abbrev.	Weight [g]
	88291AT	SOV 25 SOS ML	128

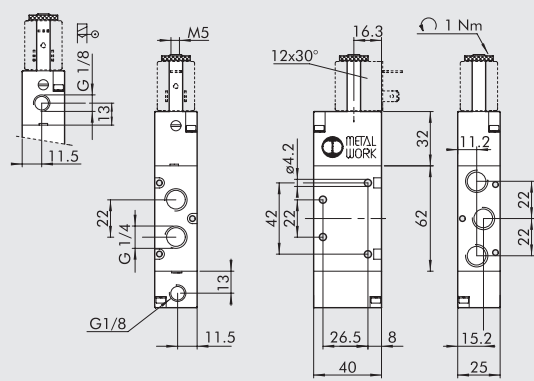
Symbol	Code	Abbrev.	Weight [g]
	88291AV	SOV 25 SOB ML	160

VALVES SERIES 70, SOLENOID/PNEUMATIC, PILOT-ASSISTED SOLENOID/PNEUMATIC, 1/4"

MONOSTABLE 3/2 NC, 1/4" PNEUMATIC RETURN



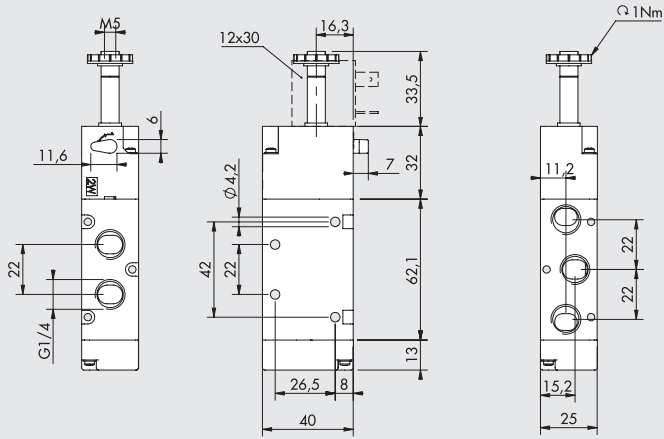
MONOSTABLE 5/2, 1/4" PNEUMATIC RETURN



Symbol	Code	Abbrev.	Weight [g]
	7020020800	SOV 33 SOP OO	166

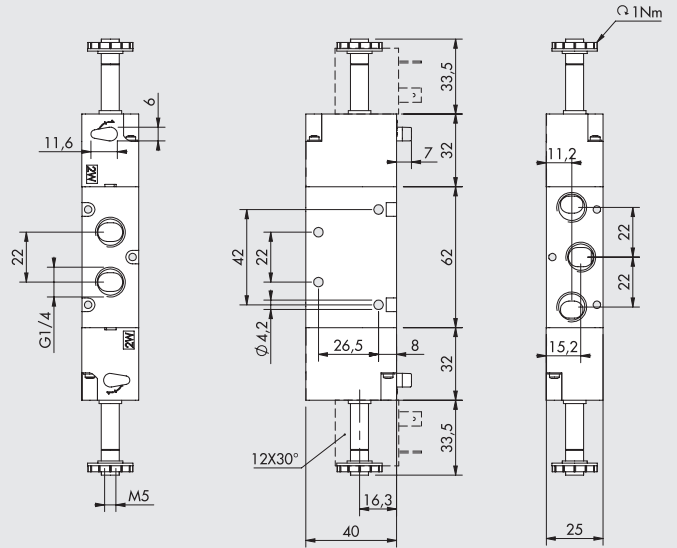
Symbol	Code	Abbrev.	Weight [g]
	7020021700	SOV 35 SOP OO	214
	7020021800	SOV 35 SEP OO	214

MONOSTABLE 5/2 1/4" HAND LEVER OPERATOR



Symbol	Code	Abbrev.	Weight [g]
	88291AR	SOV 35 SOS ML	200

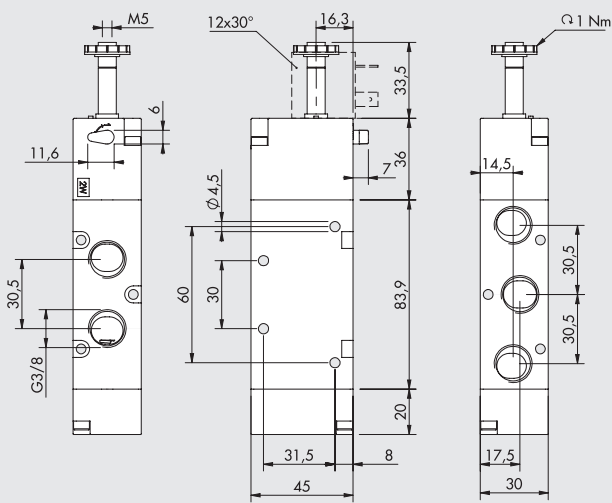
BISTABLE 5/2 1/4" HAND LEVER OPERATOR



Symbol	Code	Abbrev.	Weight [g]
	88291AS	SOV 35 SOB ML	236

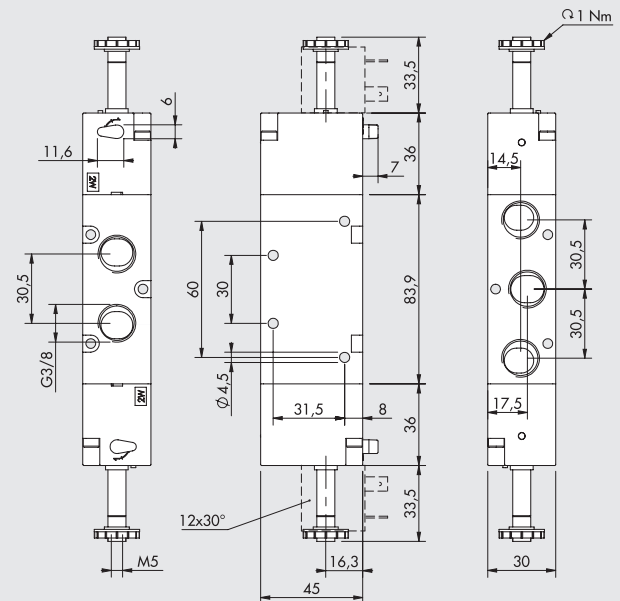
VALVES SERIES 70, SOLENOID/PNEUMATIC, 3/8"

MONOSTABLE 5/2 3/8" HAND LEVER OPERATOR



Symbol	Code	Abbrev.	Weight [g]
	8827298	SOV C5 SOS ML	361

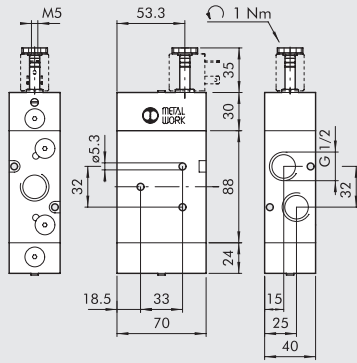
BISTABLE 5/2 3/8" HAND LEVER OPERATOR



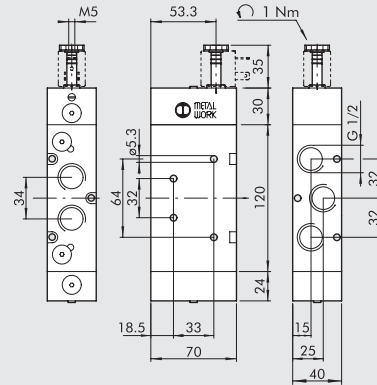
Symbol	Code	Abbrev.	Weight [g]
	88272A5	SOV C5 SOB ML	400

VALVES SERIES 70, SOLENOID/PNEUMATIC, 1/2"

MONOSTABLE 3/2 NO, 1/2" PNEUMATIC SPRING



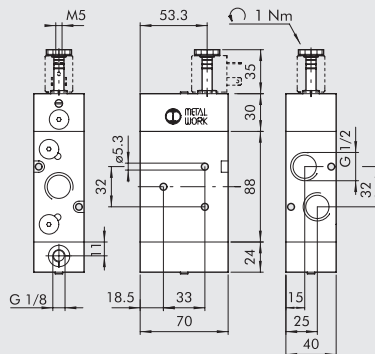
MONOSTABLE 5/2, 1/2" PNEUMATIC SPRING



Symbol	Code	Abbrev.	Weight [g]
	7030020820	SOV 43 SOL NO	940

Symbol	Code	Abbrev.	Weight [g]
	7030021820	SOV 45 SOL OO	1120

MONOSTABLE 3/2 NC, 1/2" PNEUMATIC RETURN



Symbol	Code	Abbrev.	Weight [g]
	7030020201	SOV 43 SOP NC	930

NOTES