

PRESSURE SWITCHES



This type of pressure switch features a high degree of miniaturisation and a modern attractive design. It can be installed in any position and also mounted onto a wall by means of two transversal holes.

In order to reduce wiring times, it is supplied ready assembled with a 2-metre electric cable or an M8 connector with a 300-mm cable. The contact is the switching type, which means it can be normally open or normally closed.

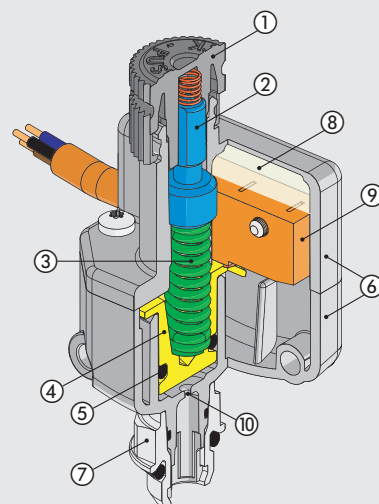
A knurled push-lock handle is provided for regulation



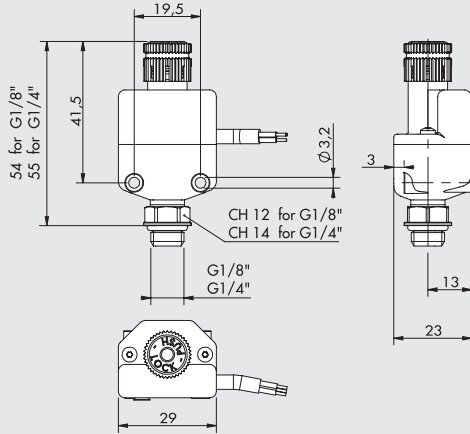
TECHNICAL DATA		
Adjustable pressure interval	bar	0.5 to 10
Hysteresis (not adjustable)	bar	from 0.4 to 0.8 (See diagram)
Maximum pressure	bar	15
	MPa	1.5
Operating temperature range at: 1 MPa; 10 bar; 145 psi	psi	217
	$^{\circ}\text{C}$	50
	$^{\circ}\text{F}$	122
Lower threaded port		G 1/8" - G 1/4"
Maximum current	A	2
Maximum voltage	V	250
Outside diameter of cable	mm	4.9
Number of wires and cross section		3 x 0.5 mm ²
Contacts		Normally-Open (NO) and Normally-Closed (NC)
Protection		IP65
Number of switchings		5 x 10 ⁶
Fluid		Filtered lubricated or unlubricated compressed air. Lubrication, if used, must be continuous
Mounting position		In any position.
Weight	g	With cable 2 m: 12
		With M8 connector: 35

COMPONENTS

- ① Technopolymer adjusting push-lock handle
- ② Brass adjusting screw
- ③ Steel piston spring
- ④ Brass piston
- ⑤ NBR gaskets
- ⑥ Technopolymer bodies
- ⑦ Rotary connection in nickel-plated brass
- ⑧ Resin finish for IP65
- ⑨ Electrical contact
- ⑩ Choke to reduce peaks in pressure



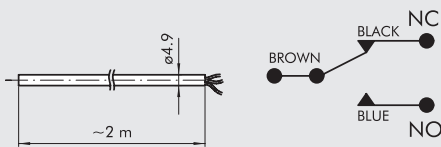
DIMENSIONS AND ORDERING CODES



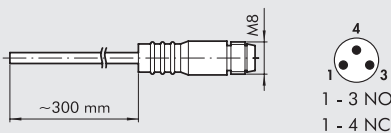
Code	Description
9000401	1/8 2A NO/NC pressure switch, 2-metre cable
9000402	1/8 2A NO/NC pressure switch, M8 connector
9000405	1/4 2A NO/NC pressure switch, 2-metre cable
9000406	1/4 2A NO/NC pressure switch, M8 connector

WIRING DIAGRAM

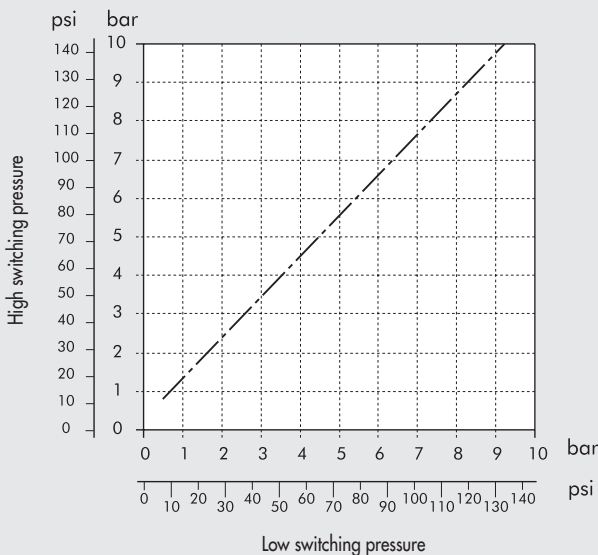
VERSION WITH CABLE



VERSION WITH M8 CONNECTOR

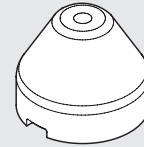


HYSTERESIS GRAPH



ACCESSORIES

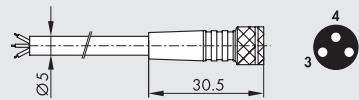
SECURITY KNOB



Code	Description
9200703	Acc. security knob

NOTE: Pull outwards to remove the knob from the pressure switch on the unit. Insert the security knob and regulate the pressure switch. Then press the handle firmly to lock it in position. If the pressure switch needs to be reset, remove the security knob by forcing it laterally with a screwdriver.

M8 STRAIGHT CONNECTOR WITH CABLE



Pin	Cable color
1	Brown
3	Blue
4	Black

Code	Description
02400A0100	M8 female 3 PIN HIGH FLEX CL6 connector with cable L = 1 m
02400A0250	M8 female 3 PIN HIGH FLEX CL6 connector with cable L = 2.5 m
02400A0500	M8 female 3 PIN HIGH FLEX CL6 connector with cable L = 5 m
02400A1000	M8 female 3 PIN HIGH FLEX CL6 connector with cable L = 10 m

Mobile laying cable, class 6 according to IEC 60228

NOTES