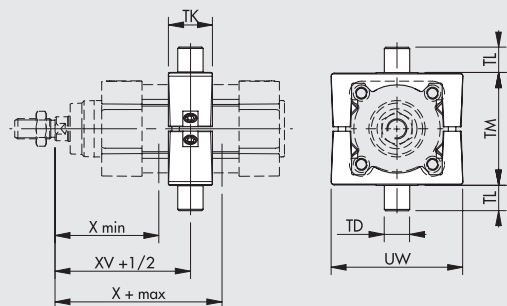


ACCESSORIES FOR ISO 15552 CYLINDERS: INTERMEDIATE HINGE

INTERMEDIATE HINGE - MODEL EN, FOR STD AND STD TWO-FLAT SERIES

+ = ADD THE STROKE
 + 1/2 = ADD HALF THE STROKE

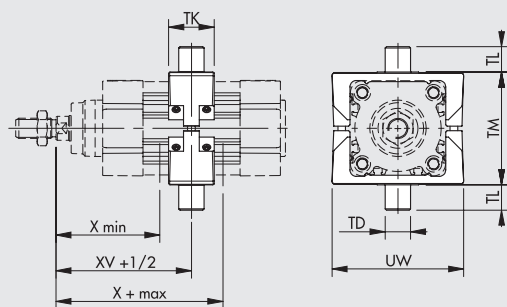


Code	Ø	X _(min)	XV	X _(max)	TM	TL	TD _{e9}	TK	UW	Weight [g]	T [Nm] ♦
0950322007	32	63	73	83	50	12	12	22	65	282	5
0950402007	40	72	82.5	93	63	16	16	28	75	582	10
0950502007	50	83	90	97	75	16	16	32	95	870	15
0950632007	63	86.5	97.5	108.5	90	20	20	35	105	1192	20
0950802007	80	104	110	116	110	20	20	40	130	1950	20
0951002007	100	113.5	120	126.5	132	25	25	45	145	2690	25
0951252007	125	135	145	155	160	25	25	50	175	3927	30

Note: Supplied with 4 grub screws, 2 pins
 ♦ Recommended tightening torque of grub screws

INTERMEDIATE HINGE - MODEL EN, FOR TYPE A AND TYPE A TWO-FLAT SERIES

+ = ADD THE STROKE
 + 1/2 = ADD HALF THE STROKE

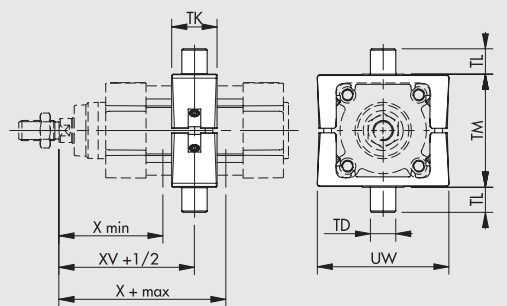


Code	Ø	X _(min)	XV	X _(max)	TM	TL	TD _{e9}	TK	UW	Weight [g]	T [Nm] ♦
0950322107	32	63	73	83	50	12	12	22	65	170	2
0950402107	40	72	82.5	93	63	16	16	28	75	360	3
0950502107	50	83	90	97	75	16	16	28	95	595	6
0950632107	63	86.5	97.5	108.5	90	20	20	36	105	960	10
0950802107	80	104	110	116	110	20	20	36	130	1530	10
0951002107	100	113.5	120	126.5	132	25	25	45	145	2417	20
0951252107	125	135	145	155	160	25	25	50	175	3480	25

Note: Supplied with 8 grub screws, 2 pins
 ♦ Recommended tightening torque of grub screws

INTERMEDIATE HINGE - MODEL EN, FOR SERIES 3 AND TWO-FLAT SERIES 3

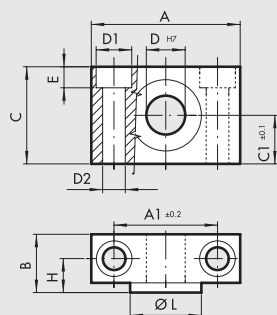
+ = ADD THE STROKE
 + 1/2 = ADD HALF THE STROKE



Code	Ø	X _(min)	XV	X _(max)	TM	TL	TD _{e9}	TK	UW	Weight [g]	T [Nm] ♦
0950322207	32	63	73	83	50	12	12	22	65	212	3
0950402207	40	72	82.5	93	63	16	16	28	75	440	8
0950502207	50	83	90	97	75	16	16	28	95	644	15
0950632207	63	86.5	97.5	108.5	90	20	20	36	105	1080	15
0950802207	80	104	110	116	110	20	20	36	130	1654	15
0951002207	100	113.5	120	126.5	132	25	25	45	145	2550	20
0951252207	125	135	145	155	160	25	25	50	175	3726	20

Note: Supplied with 4 grub screws, 2 pins
 ♦ Recommended tightening torque of grub screws

COUNTER-HINGE FOR MODEL EN - MODEL EL



Code	Ø	A	A ₁	B	C	C ₁	D ₁	D ₂	D	E	H	øL	Weight [g]
W0950322009	32	46	32	18	30	15	11	7	12	6.5	10.5	22	162
W0950402009	40	55	36	21	36	18	15	9	16	8.5	12	28	278
W0950402009	50	55	36	21	36	18	15	9	16	8.5	12	28	278
W0950632009	63	65	42	23	40	20	18	11	20	10.5	13	35	414
W0950632009	80	65	42	23	40	20	18	11	20	10.5	13	35	414
W0951002009	100	75	50	28.5	50	25	20	13	25	12.5	16	40	715
W0951002009	125	75	50	28.5	50	25	20	13	25	12.5	16	40	715

Note: 2-pieces pack with 4 screws