



\* prices and lots upon request

Custom Fittings and Accessories

# CUSTOM FITTINGS AND ACCESSORIES SUMMARY

## FITTINGS

### PUSH-IN FITTINGS



- RL1 Ø6 M7 Ø EXTERNAL 9.95

G5.2



- RL34 Ø6 1/8" STAINLESS STEEL

G5.3

### FITTING SERIES A, B, C, D



- FITTINGS SERIE A SPECIAL

G5.4



- FITTINGS SERIE B SPECIAL

G5.7



- FITTINGS SERIE C SPECIAL

G5.8



- FITTINGS SERIE D SPECIAL

G5.10

## ACCESSORIES



- DISTRIBUTOR 14x4/2 - 2x8/6

G5.11



- 3+1 WAY DISTRIBUTION FRAME 1/8"

G5.12



- 4-WAY DISTRIBUTION FRAME M12x1.5

G5.13



- MINIATURE PRESSURE GAUGES

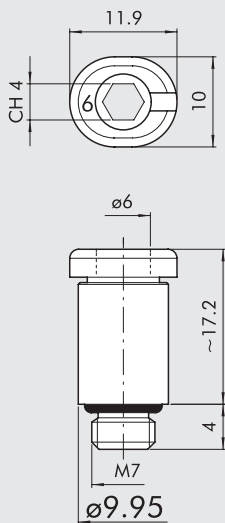
G5.14

# RL1 Ø6 M7 Ø EXTERNAL 9.95

This fitting can be mounted on valve units that are 10 mm thick.  
The pipe is retained by means of a brass clamp.



## DIMENSIONS



## ORDERING CODES

Code	Description
2M01011	RL1 Ø6 M7 Ø external 9.95

## NOTES

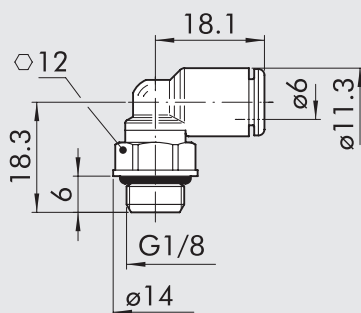
# RL34 Ø6 1/8" STAINLESS STEEL



This fitting is ideal for corrosive environments, such as in washing systems using detergents containing nitric acid. The coupling is made of AISI 316 stainless steel, the plastic parts are made of PBT and the gaskets of NBR. Available also with black body and red release bush.



## DIMENSIONS



## ORDERING CODES

Code	Description
8826146	RL34 Ø6 1/8

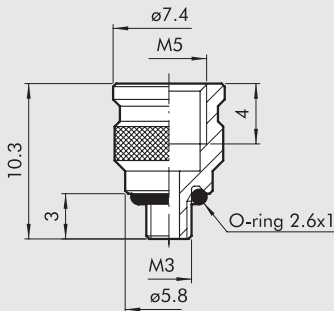
## NOTES

# FITTINGS SERIE A SPECIAL

The figure shows a sample application of custom-made fittings. Owing to the fitting construction technology, the minimum production batch is 1000 pieces per order.

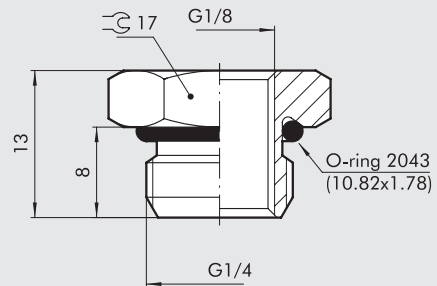


## A4/Z M3-M5



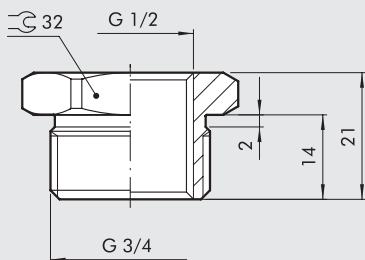
Code	Description
8000204	A4/Z M3-M5

## A4/Z 1/4-1/8 WITH OR



Code	Description
88259F2	A4/Z 1/4-1/8 with OR

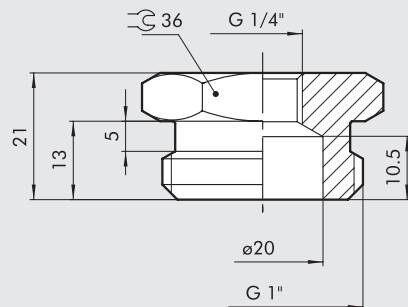
## A4/Z 3/4-1/2



Code	Description
2151007	A4/Z 3/4-1/2

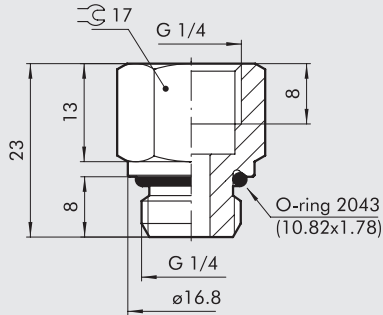
N.B.: Not nickelled

## A4/Z 1-1/4



Code	Description
2151008	A4/Z 1-1/4

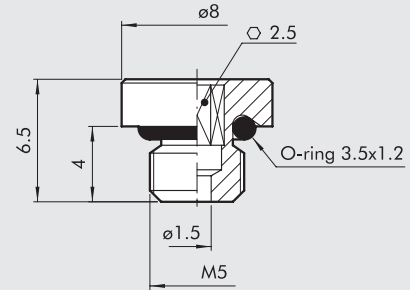
**A5/Z 1/4-1/4 WITH OR**



Code	Description
8825951	A5/Z 1/4-1/4 with OR

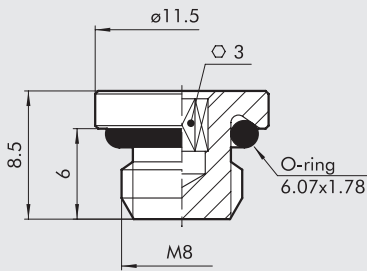
N.B.: Not nickelled

**A7 M5 WITH HOLE Ø1.5**



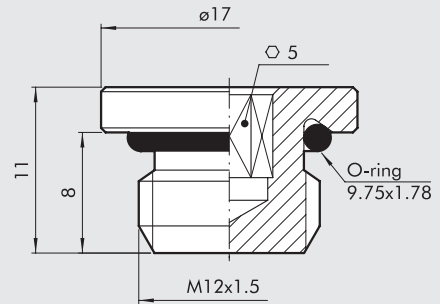
Code	Description
8000205	A7 M5 with hole Ø1.5

**A7 M8**



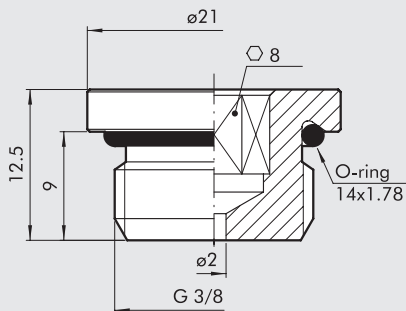
Code	Description
8286772	A7 M8

**A7 M12x1.5**



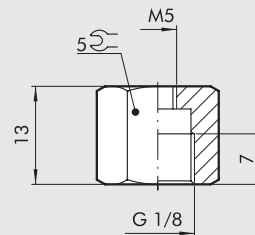
Code	Description
8826326	A7 M12x1.5

**A7 3/8 WITH HOLE Ø2**



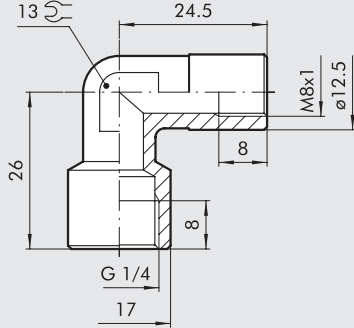
Code	Description
8000206	A7 3/8 with hole Ø2

**A8 1/8-M5**



Code	Description
8204738	A8 1/8-M5

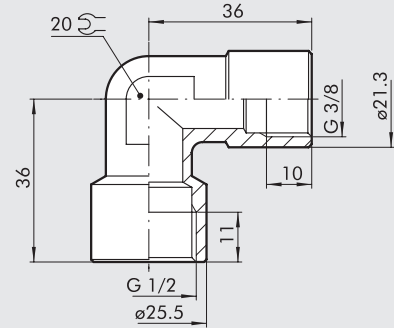
**A9 M8x1-1/4**



Code	Description
8000207	A9 M8x1-1/4

N.B.: Not nickelled

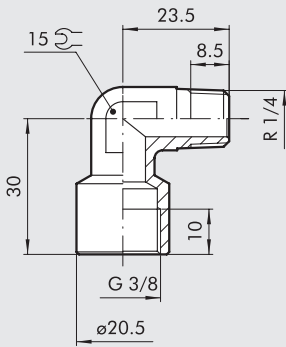
**A9 3/8-1/2**



Code	Description
2109106	A9 3/8-1/2

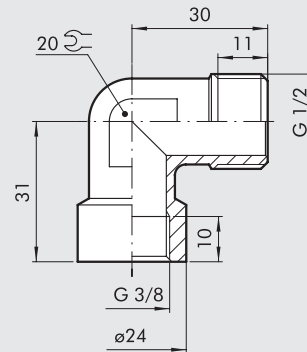
N.B.: Not nickelled

**A10 G3/8-R1/4**



Code	Description
8000208	A10 G3/8-R1/4

**A10 3/8-1/2**



Code	Description
8849239	A10 3/8-1/2

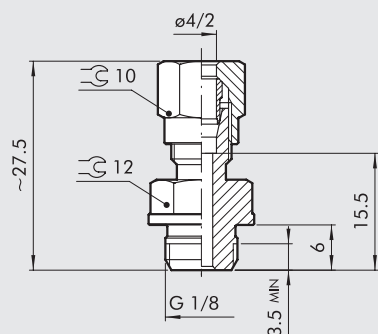
**NOTES**

# FITTINGS SERIE B SPECIAL

The figure shows a sample application of custom-made fittings.  
Owing to the fitting construction technology, the minimum production batch is 1000 pieces per order.

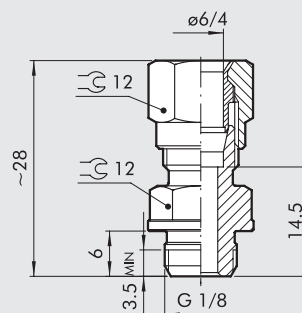


## B1/Z 4/2-1/8



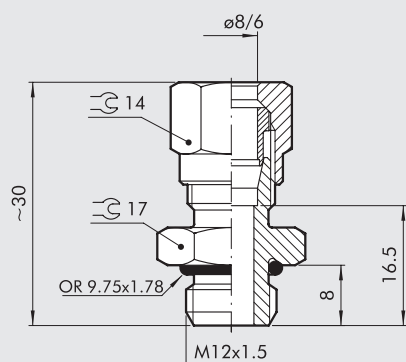
Code	Description
8821206	B1/Z 4/2-1/8

## B1/Z 6/4-1/8



Code	Description
8821201	B1/Z 6/4-1/8

## B1/Z 8/6-M12x1.5 WITH OR



Code	Description
8826329	B1/Z 8/6-M12x1.5 with OR

## NOTES

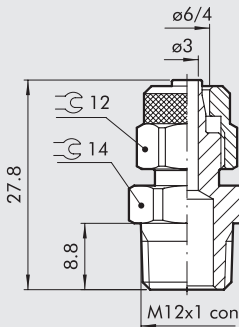


# FITTINGS SERIE C SPECIAL

The figure shows a sample application of custom-made fittings. Owing to the fitting construction technology, the minimum production batch is 1000 pieces per order.

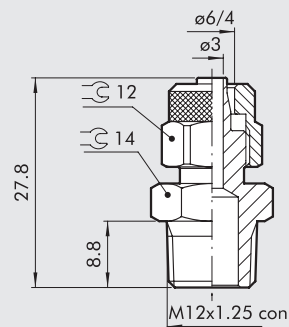


**C1 6/4 M12x1 CONICAL**



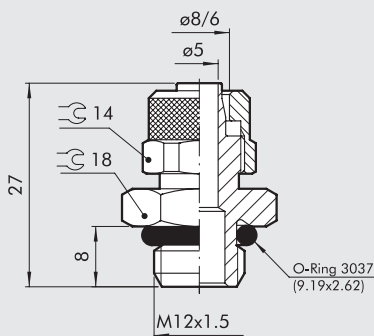
Code	Description
2353002	C1 6/4 M12x1 conical

**C1 6/4 M12x1.25 CONICAL**



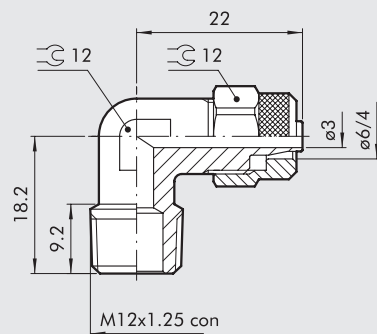
Code	Description
2353001	C1 6/4 M12x1 conical

**C1/Z 8/6 M12x1.5**



Code	Description
8826362	C1/Z 8/6 M12x1.5

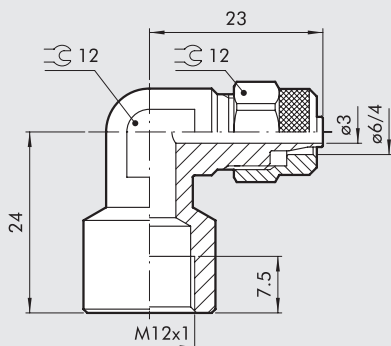
**C5 6/4 M12x1.25 CONICAL**



Code	Description
2354001	C5 6/4 M12x1.25 conical

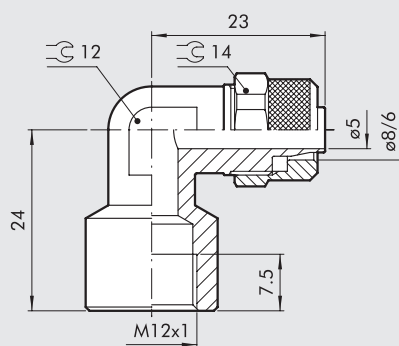
CUSTOM PRODUCTS FITTINGS SERIE C SPECIAL

## C5/F 6/4 M12x1



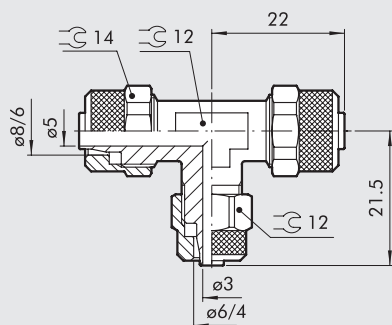
Code	Description
8826539	C5/F 6/4 M12x1

## C5/F 8/6 M12x1



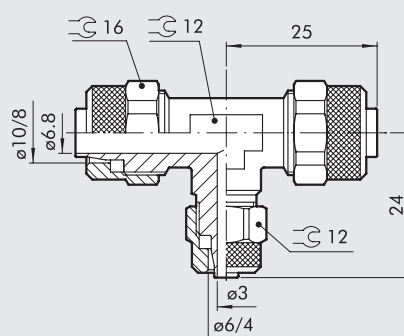
Code	Description
8826524	C5/F 8/6 M12x1

## C9 8/6 - 6/4



Code	Description
8260401	C9 8/6 - 6/4

## C9 10/8 - 6/4



Code	Description
8849208	C9 10/8 - 6/4

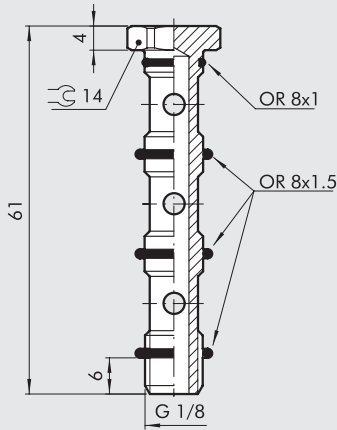
## NOTES

# FITTINGS SERIE D SPECIAL

The figure shows a sample application of custom-made fittings. Owing to the fitting construction technology, the minimum production batch is 1000 pieces per order.

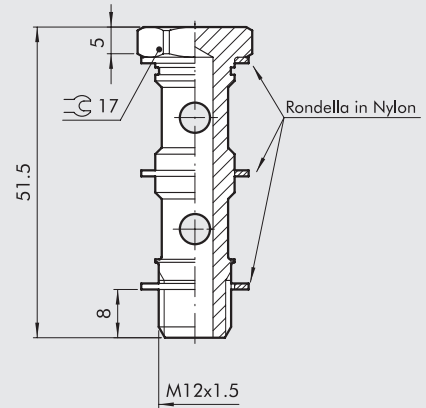


### D8/3 1/8 WITH OR



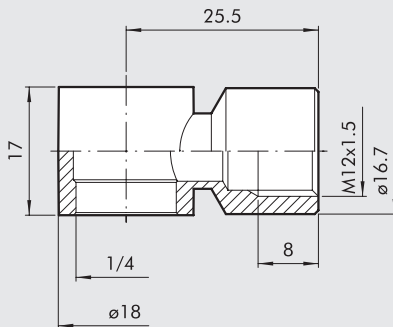
Code	Description
8045526	D8/3 1/8 with OR
N.B.: For models R28-R29	

### D8 M12x1.5 WITH WASHER



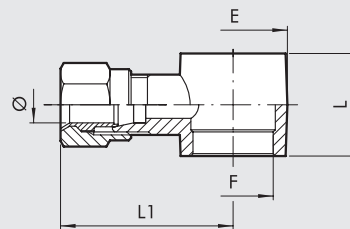
Code	Description
8294629	D8 M12x1.5 with washer
N.B.: For models R13-R14-D5-D6-D12-D17	

### D12 1/4 M12x1.5



Code	Description
8826330	D12 1/4 M12x1.5

### D17 (UNLOSABLE OLIVE)

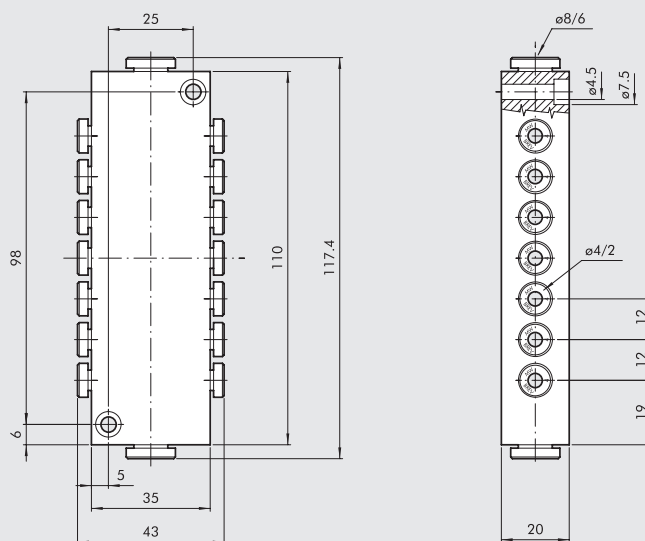


Code	Ref.	Ø	F	Ch1	L	L1	E
2417103	D17	6/4	1/4	12	17	28	18

# DISTRIBUTOR 14x4/2 - 2x8/6



## DIMENSIONS



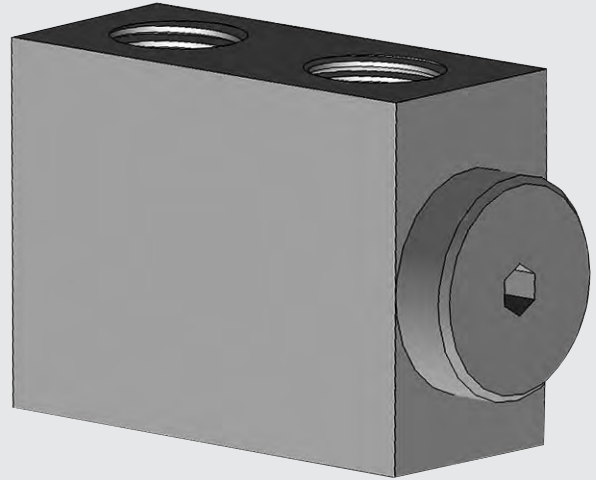
## ORDERING CODES

Code	Description
8294572	Distributor 14x4/2 - 2x8/6

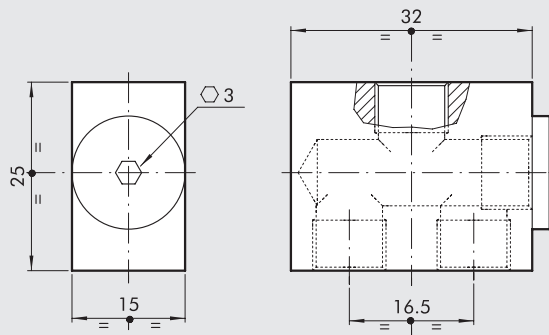
N.B.: Anodised aluminium

# 3+1 WAY DISTRIBUTION FRAME 1/8"

The A7 can be moved to another position and the desired output plugged, or it can be removed completely to give a 4-way manifold.



## DIMENSIONS

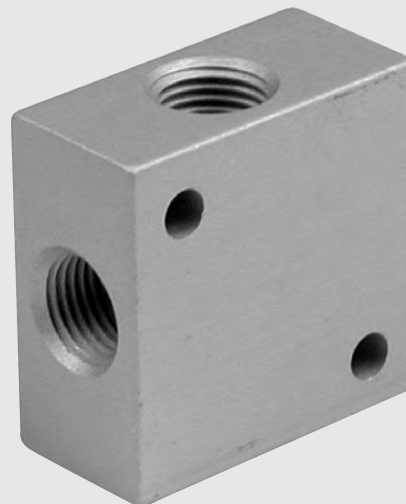


## ORDERING CODES

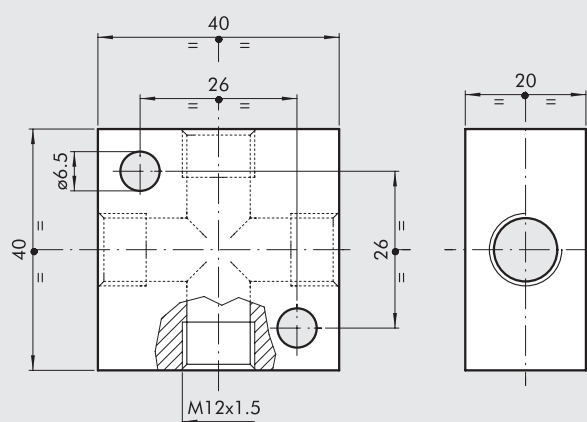
Code	Description
8045527	Distributor 3+1 way 1/8

N.B.: Anodised aluminium

# 4-WAY DISTRIBUTION FRAME M12x1.5



## DIMENSIONS



## ORDERING CODES

Code	Description
8826328	4-way distribution frame M12x1.5

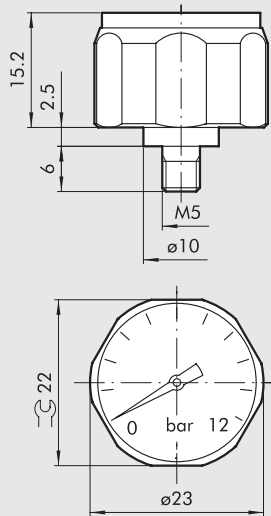
N.B.: Anodised aluminium

# MINIATURE PRESSURE GAUGES

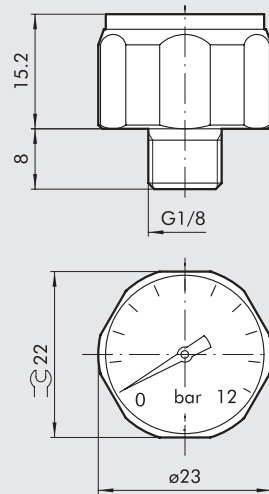
Despite their reduced dimensions, these miniature pressure gauges ensure high precision reading.



## M5 PRESSURE SWITCH DIMENSIONS



## 1/8" PRESSURE SWITCH DIMENSIONS



### ORDERING CODES

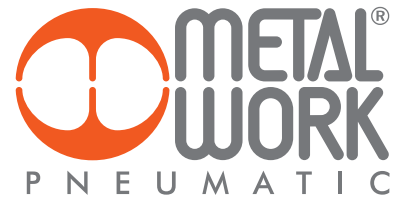
Code	Description
9062101	Pressure switch 0-12 $\phi 23$ M5

### ORDERING CODES

Code	Description
9062100	Pressure switch 0-12 $\phi 23$ 1/8

### NOTES

- Nickel-plated brass box
- Accuracy  $\pm 4\%$  full scale
- Maximum operating pressure 12 bar (1.2 MPa)



NOTES

A large rectangular area with horizontal grey lines, intended for handwritten notes.



NOTES