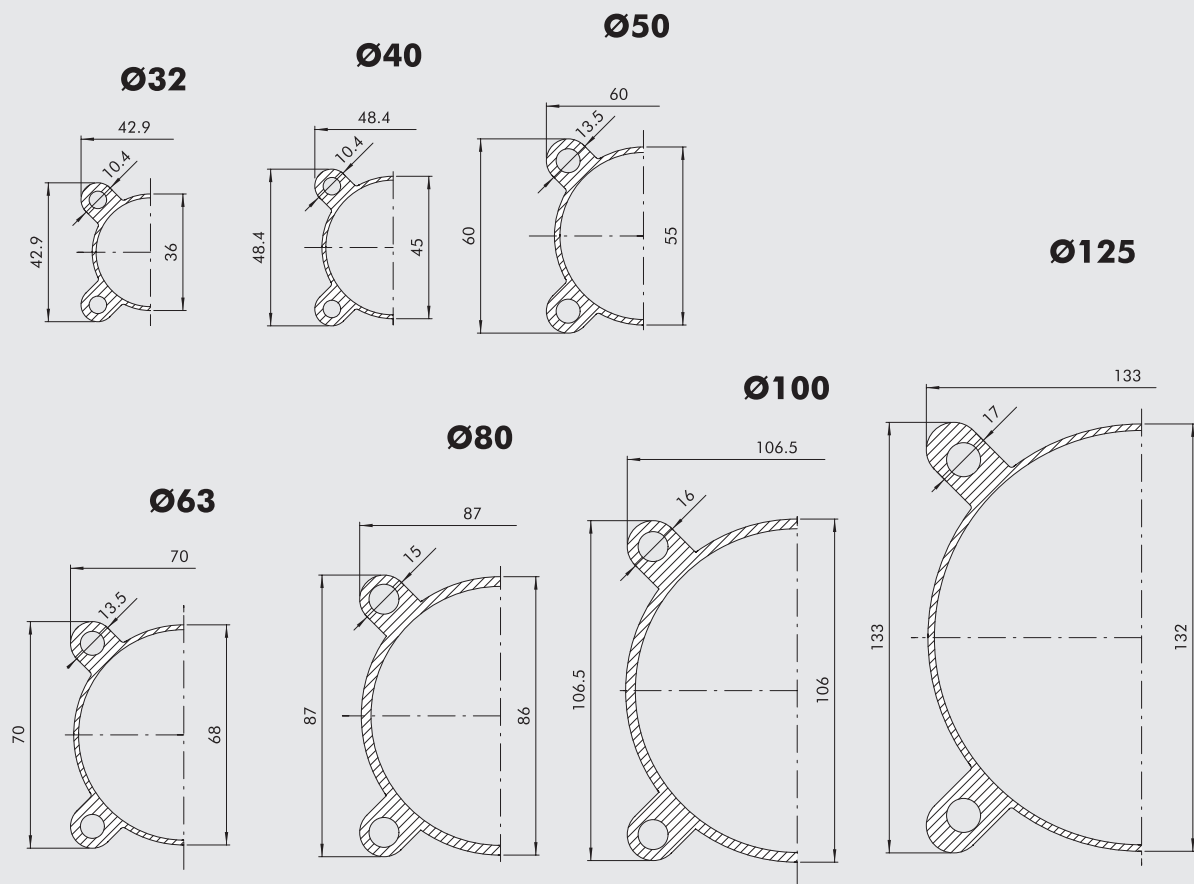


ISO 15552 CYLINDER SERIES STD

ISO 15552 cylinders, featuring a smooth barrel with no longitudinal slots. This means it is easier to clean the cylinder and there are fewer points where dirt can collect. Specific brackets are required for mounting magnetic sensors.



BARREL CROSS SECTION



KEY TO CODES CYLINDER ISO 15552 STD

CYL	1 2 1	0	3 2	0 0 5 0	C	P	E
	TYPE		BORE	STROKE	MATERIAL	GASKETS	
	120 Double-acting, cushioned, non-magnetic	0 Diameter	32	For the maximum applicable strokes, look at the technical data	A C45 chromed piston rod, aluminium piston: standard for all cylinders with ≥ 1000 mm-stroke cylinders and for cylinder with Ø 80 mm and over	N NBR gaskets P Polyurethane gaskets	▼ E Single-acting extended rod
	121 Double-acting, cushioned	S Non-magnetic	40				
	122 Through-rod	▲ G No stick-slip	50		C C45 chromed piston rod, technopolymer piston: standard for cylinders of Ø 32 to 63 mm with <1000 mm strokes	V FKM/FPM gaskets ● B Low temperature rod gasket	★ 1 + Secure Lock with manual control
●	124 Double-acting, non-cushioned		63				
	125 Opposed		80		Z Stainless steel piston rod and nut aluminium piston	▶ R "Hard PU" piston rod gasket	★ 2 + Secure Lock without manual control
+	126 Single-acting		80				
	127 Tandem		■ 100		X Stainless steel piston rod and nut technopolymer piston	● □ M "Metal" piston rod gasket	
	134 Version suitable for rod lock		■ 125				
*	136 Version with rod lock						
* ♦	137 Version suitable for rod lock + guide unit						

- In the code of cylinder with letter in fourth position Ø 100 becomes A1; Ø 125 becomes A2
- Only available for versions with aluminium piston (A or Z)
- +

- ▲ For speeds lower than 0.2 m/s, to prevent surging. Use no-lubricated air only.
- ◆ Available up to Ø 100
- * Not available for gaskets V or B
- ▼ Letter to be added only to the single acting extended rod version
- ★ Extra digit to be added only for types 136 with the "Secure Lock" device
- ▶ The 126 (single-action) type and the (No-stick-slip) version G are not available

KEY TO CODES CYLINDER ISO 15552 STD LOW-FRICTION

CYL	1 2 3	A	3 2	0 0 5 0	C	P
		TYPE	BORE	STROKE	MATERIAL	GASKETS
		A Low friction, type A	32	Ø 32 to 80	A C45 chromed piston rod, aluminium piston: standard for all cylinders with ≥ 1000 mm-stroke cylinders and for cylinder with Ø 80 mm and over	N NBR gaskets P Polyurethane gaskets V FKM/FPM gaskets
		B Low friction, type B	40	stroke 1 to 2800 mm		
		C Low friction, type C	50	Ø 100 to 125	C C45 chromed piston rod, technopolymer piston: standard for cylinders of Ø 32 to 63 mm with <1000 mm strokes	
		D Low friction, type D	63	stroke 1 to 2600 mm		
		E Low friction, type E	80		Z Stainless steel piston rod and nut aluminium piston	
		F Low friction, type F	A1 = Ø 100 A2 = Ø 125		X Stainless steel piston rod and nut technopolymer piston	

KEY TO CODES CYLINDER ISO 15552 STD LONG-CUSHIONING

CYL	1 3 1	A	3 2	0 0 5 0	A	P
		TYPE	BORE	STROKE	MATERIAL	GASKETS
		A 200 mm front/rear cushioning cone – 200 mm ext.	32	1 to 2600 mm	A C45 chromed rod, aluminium piston rod for all sizes	N NBR gaskets P Polyurethane gaskets
		B 150 mm front/rear cushioning cone – 150 mm ext.	40			
		C 100 mm front/rear cushioning cone – 100 mm ext.	50		Z Stainless steel piston rod and nut aluminium piston	* V FKM/FPM gaskets
		D 150 mm front/rear cushioning cone – 200 mm ext.	63			
		E 100 mm front/rear cushioning cone – 200 mm ext.				
		F 50 mm front/rear cushioning cone – 100 mm ext.				
		G 100 mm front/rear cushioning cone – 150 mm ext.				
		H 200 mm front cushioning cone – 200 mm ext.				
		I 150 mm front cushioning cone – 150 mm ext.				
		L 100 mm front cushioning cone – 100 mm ext.				
		M 150 mm front cushioning cone – 200 mm ext.				
		N 100 mm front cushioning cone – 150 mm ext.				
		O 50 mm front cushioning cone – 100 mm ext.				
		Q 200 mm rear cushioning cone – 200 mm ext.				
		R 150 mm rear cushioning cone – 150 mm ext.				
		S 100 mm rear cushioning cone – 100 mm ext.				
		T 150 mm rear cushioning cone – 200 mm ext.				
		U 100 mm rear cushioning cone – 200 mm ext.				
		V 50 mm rear cushioning cone – 100 mm ext.				

* Version valid only for types: Q, R, S, T, U and V.

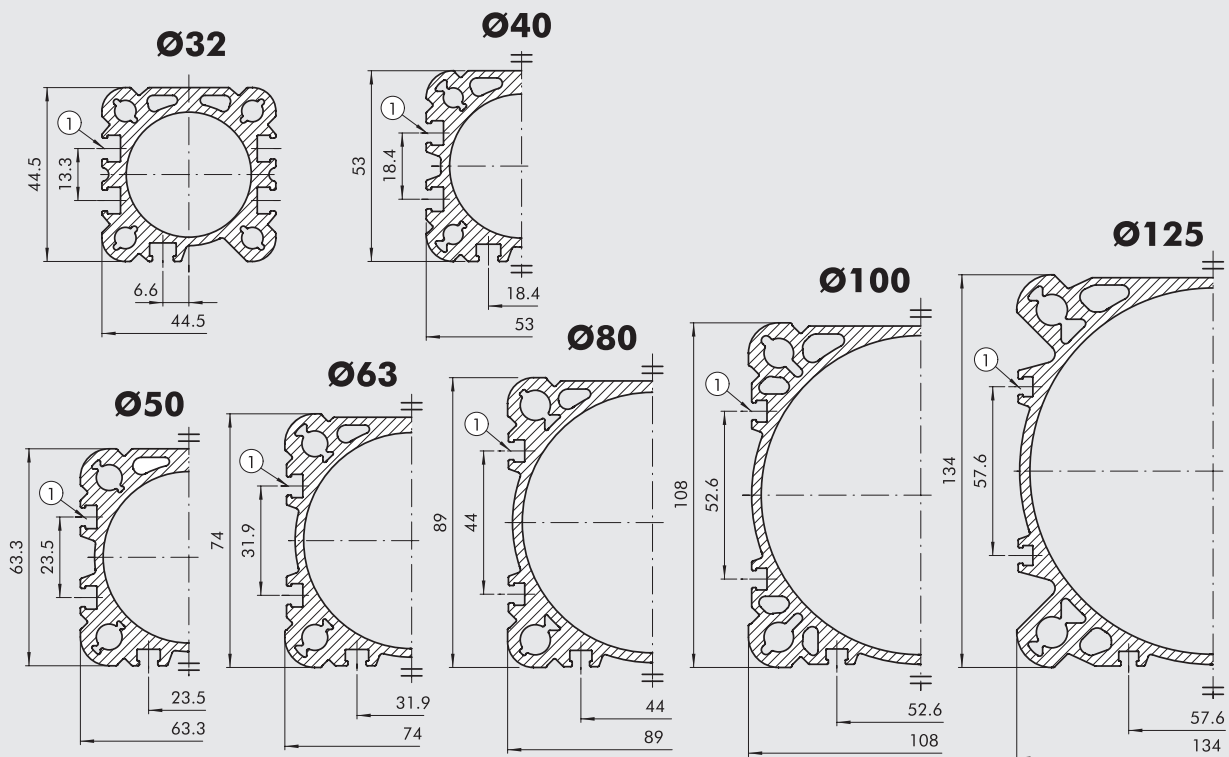
ISO 15552 CYLINDER TYPE A

ISO 15552 cylinders, featuring a barrel with longitudinal slots on three sides for inserting and securing retractable sensors. The same slots can also be used for valves and other mechanical parts.



BARREL CROSS SECTION

① SLOTS FOR RETRACTABLE SENSOR



KEY TO CODES CYLINDER ISO 15552 TYPE "A"

CYL	1 2 1 TYPE	A	3 2 BORE	0 0 5 0 STROKE	C MATERIAL	P GASKETS	E
	121 Double-acting, cushioned	A Standard	32	For the maximum supplyable strokes, look at the technical data	A C45 chromed piston rod, aluminium piston: standard for all cylinders with ≥ 1000 mm-stroke cylinders and for cylinder with Ø 80 mm and over C C45 chromed piston rod, technopolymer piston: standard for cylinders of Ø 32 to 63 mm with <1000 mm strokes Z Stainless steel piston rod and nut aluminium piston X Stainless steel piston rod and nut technopolymer piston	N NBR gaskets P Polyurethane gaskets V FKM/FPM gaskets ● B Low temperature C "Combi" piston rod gasket ▶ R "Hard PU" piston rod gasket ● ◻ M "Metal" piston rod gasket	▼ E Single-acting extended rod ★ 1 + Secure Lock with manual control ★ 2 + Secure Lock without manual control
●	122 Through-rod	▲ B No stick-slip	40				
	124 Double-acting, non-cushioned	C Non-magnetic	50				
	125 Opposed		63				
+	126 Single-acting		80				
	127 Tandem		A1 = Ø 100				
	134 Version suitable for rod lock		A2 = Ø 125				
*	136 Version with rod lock						
* ♦	137 Version suitable for rod lock + guide unit						

- Only available for versions with aluminium piston (A or Z)
- + Available until Ø 63 and only the versions with piston in aluminum (A or Z)
- 126... Single-acting retracted rod
- 126...E Single-acting extended rod
- ◻ Not available in Ø 32
- ▼ Letter to be added only to the single acting extended rod version

- ★ Extra digit to be added only for types 136 with the "Secure Lock" device
- ▲ For speeds lower than 0.2 m/s, to prevent surging. Use no-lubricated air only.
- ◆ Available up to Ø 100
- * Not available for gaskets V or B
- ▶ The 126 (single-action) type and the (No-stick-slip) version B are not available

KEY TO CODES CYLINDER ISO 15552 LOW-FRICTION TYPE "A"

CYL	1 2 9 TYPE	A	3 2 BORE	0 0 5 0 STROKE	C MATERIAL	P GASKETS
	A Low friction, type A		32	Ø 32 to 80	A C45 chromed piston rod, aluminium piston: standard for all cylinders with ≥1000 mm-stroke cylinders and for cylinder with Ø 80 mm and over C C45 chromed piston rod, technopolymer piston: standard for cylinders of Ø 32 to 63 mm with <1000 mm strokes Z Stainless steel piston rod and nut aluminium piston X Stainless steel piston rod and nut technopolymer piston	N NBR gaskets P Polyurethane gaskets V FKM/FPM gaskets
	B Low friction, type B		40	stroke 1 to 2800 mm		
	C Low friction, type C		50	Ø 100 to 125		
	D Low friction, type D		63	stroke 1 to 2600 mm		
	E Low friction, type E		80			
	F Low friction, type F	A1 = Ø 100 A2 = Ø 125				

KEY TO CODES CYLINDER ISO 15552 LONG-CUSHIONING TYPE "A"

CYL	1 3 0 TYPE	A	3 2 BORE	0 0 5 0 STROKE	A MATERIAL	P GASKETS
	A 200 mm front/rear cushioning cone – 200 mm ext.		32	1 to 2600 mm	A C45 chromed piston rod, aluminium piston for all sizes Z Stainless steel piston rod and nut aluminium piston	N NBR gaskets P Polyurethane gaskets * V FKM/FPM gaskets
	B 150 mm front/rear cushioning cone – 150 mm ext.		40			
	C 100 mm front/rear cushioning cone – 100 mm ext.		50			
	D 150 mm front/rear cushioning cone – 200 mm ext.		63			
	E 100 mm front/rear cushioning cone – 200 mm ext.					
	F 50 mm front/rear cushioning cone – 100 mm ext.					
	G 100 mm front/rear cushioning cone – 150 mm ext.					
	H 200 mm front cushioning cone – 200 mm ext.					
	I 150 mm front cushioning cone – 150 mm ext.					
	L 100 mm front cushioning cone – 100 mm ext.					
	M 150 mm front cushioning cone – 200 mm ext.					
	N 100 mm front cushioning cone – 150 mm ext.					
	O 50 mm front cushioning cone – 100 mm ext.					
	Q 200 mm rear cushioning cone – 200 mm ext.					
	R 150 mm rear cushioning cone – 150 mm ext.					
	S 100 mm rear cushioning cone – 100 mm ext.					
	T 150 mm rear cushioning cone – 200 mm ext.					
	U 100 mm rear cushioning cone – 200 mm ext.					
	V 50 mm rear cushioning cone – 100 mm ext.					

* Version valid only for types: Q, R, S, T, U and V.

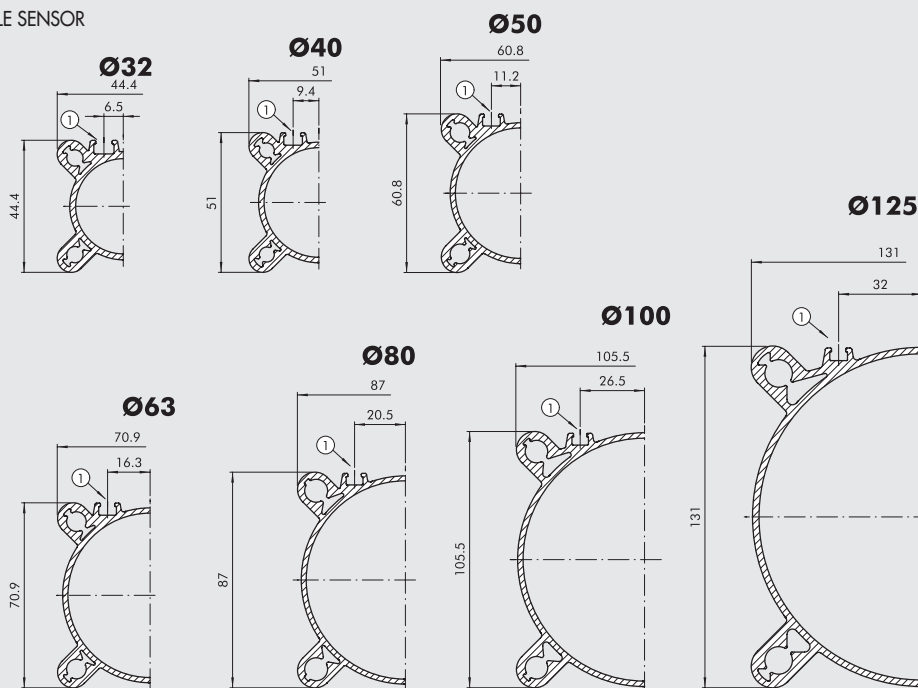
ISO 15552 CYLINDER SERIES 3

ISO 15552 cylinders, featuring specially-shaped barrels designed to reduce weight to a minimum. Two T-slots on the same side as the threaded fittings can take retractable sensors. The other three sides of the barrel are smooth, with no slots, and hence easy to clean.



BARREL CROSS SECTION

① SLOTS FOR RETRACTABLE SENSOR



KEY TO CODES

CYL	1 2 1	3	3 2	0 0 5 0	C	P	E			
	TYPE		BORE	STROKE	MATERIAL	GASKETS				
	121 Double-acting, cushioned	3 Series 3	32	For the maximum applicable strokes, look at the technical data	A C45 chromed piston rod, aluminium piston: standard for all cylinders with ≥ 1000 mm-stroke cylinders and for cylinder with ≥ 80 mm and over	N NBR gaskets P Polyurethane gaskets V FKM/FPM gaskets	▼ E Single-acting extended rod			
●	122 Through-rod	4 Series 3 No stick slip	40							
	124 Double-acting, non-cushioned	5 Series 3 Non-magnetic	50							
	125 Opposed		63							
+	126 Single-acting Tandem		80							
	134 Version suitable for rod lock	A1 = $\varnothing 100$	105.5					C C45 chromed piston rod, technopolymer piston: standard for cylinders of $\varnothing 32$ to 63 mm with < 1000 mm strokes	● B Low temperature "Combi" piston rod gasket	★ 1 + Secure Lock with manual control
■	136 Version with rod lock	A2 = $\varnothing 125$	105.5					Z Stainless steel piston rod and nut aluminium piston	▶ R "Hard PU" piston rod gasket	★ 2 + Secure Lock without manual control
■ *	137 Version suitable for rod lock + guide unit		131	X Stainless steel piston rod and nut technopolymer piston	● □ M "Metal" piston rod gasket					

- Only available for versions with aluminium piston (A or Z)
- + Available until $\varnothing 63$ and only the versions with piston in aluminium (A or Z)
- 126... Single-acting retracted rod
- 126...E Single-acting extended rod
- ▼ Letter to be added only to the single acting extended rod version
- ★ Extra digit to be added only for types 136 with the "Secure Lock" device

- ◆ For speeds lower than 0.2 m/s, to prevent surging. Use no-lubricated air only.
- * Available until $\varnothing 100$
- Not available for gasket V or B
- Not available in $\varnothing 32$
- ▶ The 126 (single-action) type and the (No-stick-slip) version 4 are not available