

# IN-LINE CHECK VALVE Series VNR L



The VNR L check valve belongs to the LINE ON LINE® family, which means it can be connected to all the other components in series or in parallel.

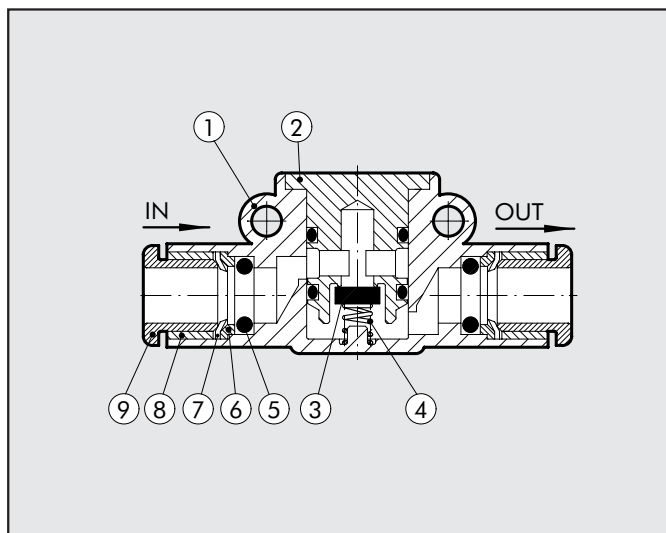
Available in the version for pipe-pipe connection with two push-in fittings, and in the version for thread-pipe connection with a brass nickel-plated male thread and a push-in fitting. It is still the only check valve with holes for wall mounting.



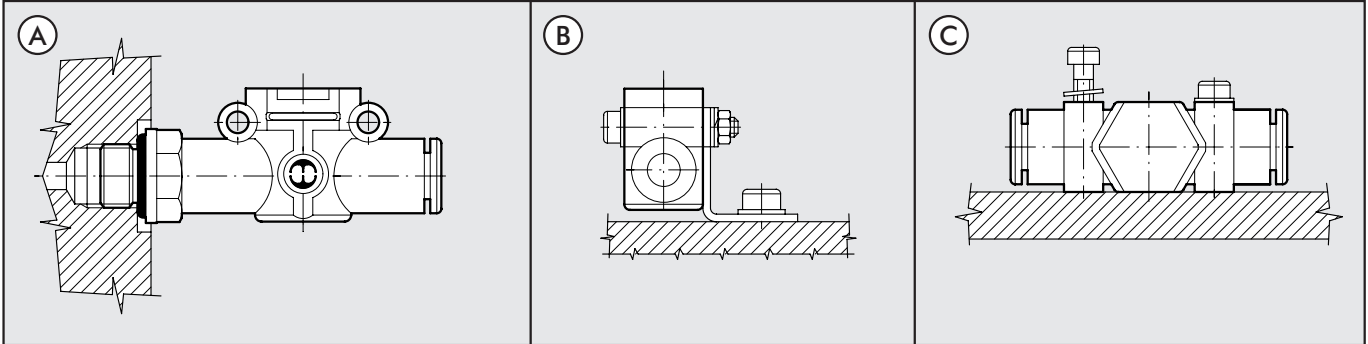
| TECHNICAL DATA                |        | Ø 4  | Ø 6            | Ø 8 |
|-------------------------------|--------|--|----------------|-----|
| Operating pressure            | MPa    |  | 0.05 to 1.2    |     |
|                               | bar    |  | 0.5 to 12      |     |
| Temperature range             | psi    |  | 7.2 to 174     |     |
|                               | °C     |  | -20°C to +60°C |     |
|                               | °F     |  | -4°F to +140°F |     |
| Flow rate at 6.3 bar ΔP 1 bar | NI/min | 80   | 320            | 480 |
| Recommended pipe              |        | Rilsan PA 11 – Nylon 6 – Polyamide12 – Polypropylene |                |     |
| Fluid                         |        | lubricated or unlubricated filtered compressed air   |                |     |
|                               |        |  |                |     |
|                               |        |  |                |     |
|                               |        |  |                |     |
|                               |        |  |                |     |
|                               |        |  |                |     |
|                               |        |  |                |     |
|                               |        |  |                |     |
|                               |        |  |                |     |

## COMPONENT PARTS

- ① Technopolymer body
- ② Nickel-plated brass insert
- ③ NBR valve
- ④ Stainless steel valve compression spring
- ⑤ NBR gasket
- ⑥ Technopolymer spring ring
- ⑦ Stainless steel folding spring
- ⑧ Technopolymer locking bushing
- ⑨ Technopolymer release bushing



### ASSEMBLY OPTIONS

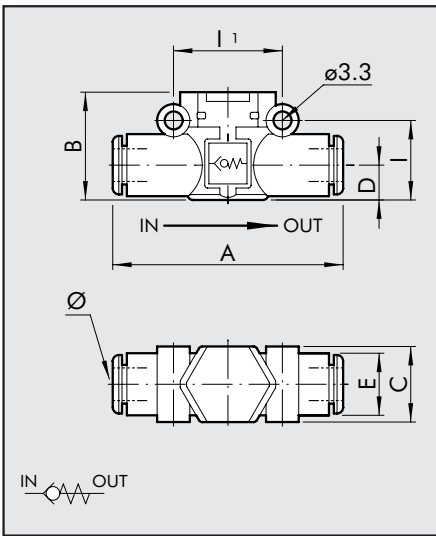


How to mount the VNR L:

- Fig. A: With the male threaded port it is possible to mount the VNR L straight onto the female thread.
- Fig. B: Fixing to the plate with the special SQU L bracket.
- Fig. C: There are two robust rings on the plastic body for fixing the VNR L straight onto the wall.

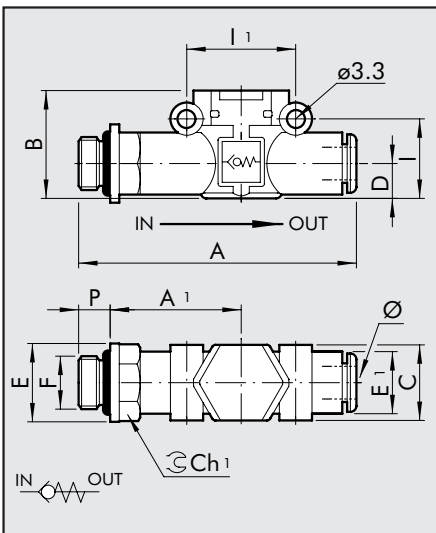
### OVERALL DIMENSIONS AND ORDERING CODES

| VNR L PIPE-PIPE | Code | Ref. | Ø | A | B | C | D | E | I | II |
|-----------------|------|------|---|---|---|---|---|---|---|----|
|-----------------|------|------|---|---|---|---|---|---|---|----|



|         |           |   |      |      |      |     |      |      |    |
|---------|-----------|---|------|------|------|-----|------|------|----|
| 9064001 | VNR L 4-4 | 4 | 42   | 17.5 | 10.7 | 5.6 | 10   | 12.8 | 16 |
| 9064016 | VNR L 6-6 | 6 | 49.4 | 20   | 14.7 | 6.4 | 11.4 | 14.6 | 20 |
| 9064024 | VNR L 8-8 | 8 | 57.3 | 25.5 | 18.7 | 9.1 | 13.8 | 18.7 | 24 |

| VNR L THREAD-PIPE | Code | Ref. | F | Ø | P | A | A1 | B | C | E | E1 | I | II | Ch |
|-------------------|------|------|---|---|---|---|----|---|---|---|----|---|----|----|
|-------------------|------|------|---|---|---|---|----|---|---|---|----|---|----|----|

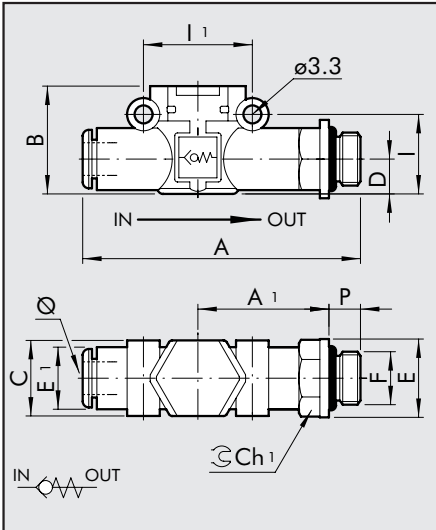


|         |             |     |   |   |      |      |      |      |     |      |      |    |    |
|---------|-------------|-----|---|---|------|------|------|------|-----|------|------|----|----|
| 9064101 | VNR L M5-4  | M5  | 4 | 4 | 47.7 | 22.7 | 17.5 | 10.7 | 9.9 | 10   | 12.8 | 16 | 9  |
| 9064102 | VNR L 1/8-4 | 1/8 | 4 | 6 | 51.6 | 24.6 | 17.5 | 10.7 | 14  | 10   | 12.8 | 16 | 12 |
| 9064108 | VNR L 1/8-6 | 1/8 | 6 | 6 | 58.5 | 27.8 | 20   | 14.7 | 14  | 11.4 | 14.6 | 20 | 12 |
| 9064109 | VNR L 1/4-6 | 1/4 | 6 | 8 | 61.5 | 28.8 | 20   | 14.7 | 18  | 11.4 | 14.6 | 20 | 14 |
| 9064110 | VNR L 1/8-8 | 1/8 | 8 | 6 | 66.2 | 31.8 | 25.5 | 18.7 | 15  | 13.8 | 18.7 | 24 | 14 |
| 9064111 | VNR L 1/4-8 | 1/4 | 8 | 8 | 70.6 | 34.2 | 25.5 | 18.7 | 18  | 13.8 | 18.7 | 24 | 14 |
| 9064112 | VNR L 3/8-8 | 3/8 | 8 | 9 | 72.2 | 34.8 | 25.5 | 18.7 | 22  | 13.8 | 18.7 | 24 | 17 |



**VNR L PIPE-THREAD**

Code Ref. Ø F P A A1 B C E E1 I I1 Ch



|         |             |   |     |   |      |      |      |      |     |      |      |    |    |
|---------|-------------|---|-----|---|------|------|------|------|-----|------|------|----|----|
| 9064201 | VNR L 4-M5  | 4 | M5  | 4 | 47.7 | 22.7 | 17.5 | 10.7 | 9.9 | 10   | 12.8 | 16 | 9  |
| 9064202 | VNR L 4-1/8 | 4 | 1/8 | 6 | 51.6 | 24.6 | 17.5 | 10.7 | 14  | 10   | 12.8 | 16 | 12 |
| 9064208 | VNR L 6-1/8 | 6 | 1/8 | 6 | 58.5 | 27.8 | 20   | 14.7 | 14  | 11.4 | 14.6 | 20 | 12 |
| 9064209 | VNR L 6-1/4 | 6 | 1/4 | 8 | 61.5 | 28.8 | 20   | 14.7 | 18  | 11.4 | 14.6 | 20 | 14 |
| 9064210 | VNR L 8-1/8 | 8 | 1/8 | 6 | 66.2 | 31.8 | 25.5 | 18.7 | 15  | 13.8 | 18.7 | 24 | 14 |
| 9064211 | VNR L 8-1/4 | 8 | 1/4 | 8 | 70.6 | 34.2 | 25.5 | 18.7 | 18  | 13.8 | 18.7 | 24 | 14 |
| 9064212 | VNR L 8-3/8 | 8 | 3/8 | 9 | 72.2 | 34.8 | 25.5 | 18.7 | 22  | 13.8 | 18.7 | 24 | 17 |

**NOTES**