

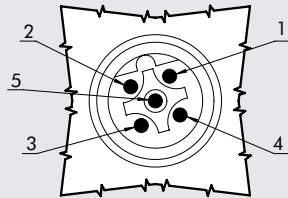
PIN ASSIGNMENT

PROFIBUS CONNECTORS

BUS OUT

M12 female connector
B coding for profibus

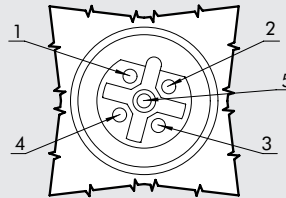
- 1 - 5 VDC power
- 2 - Bus A
- 3 - GND
- 4 - Bus B
- 5 - Screen



BUS IN

M12 male connector
B coding for profibus

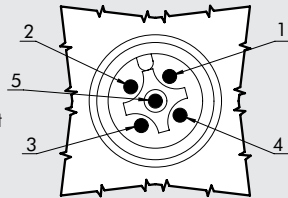
- 1 - 5 VDC power
- 2 - Bus A
- 3 - GND
- 4 - Bus B
- 5 - Screen



POWER CONNECTOR

M12 male connector
A coding

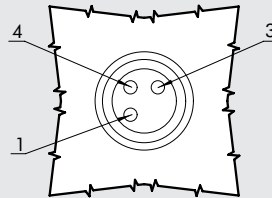
- 1 - Power supply module and input
- 2 - NC
- 3 - GND
- 4 - GND
- 5 - INPUT



INPUT CONNECTORS

M8 three-pole female connector
A coding

- 1 - 24Vdc
- 3 - GND
- 4 - INPUT



LED ASSIGNMENT

NETWORK

- (red): slave not configured or not communicating with master
- (green): slave configured and communicating with master

MODULE FAILURE

- (red): check signal LEDs

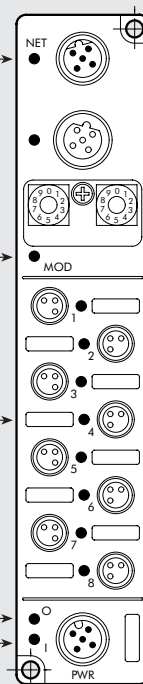
Channel LEDs (inputs)

- (green): input enabled
- (red): sensor faulty, +24V power supply short-circuit

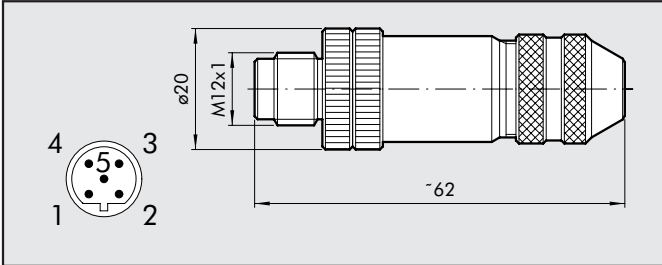
NOT USED

INPUT MODULE POWER SUPPLY

- (green): on

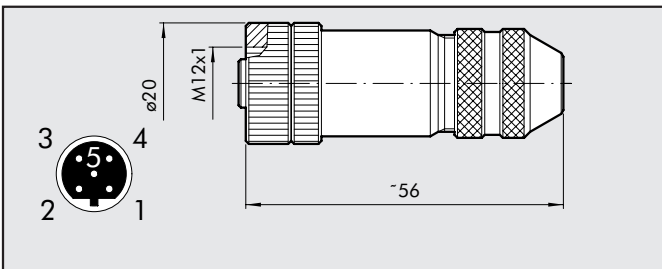


M12 BUS-IN MALE CONNECTOR



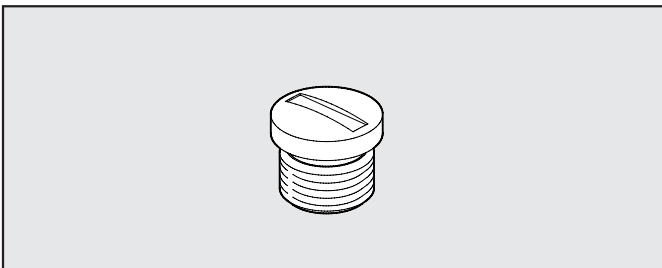
Code	Description
0240009035	M12 BUS-IN male connector, B coding

M12 BUS-OUT FEMALE CONNECTOR



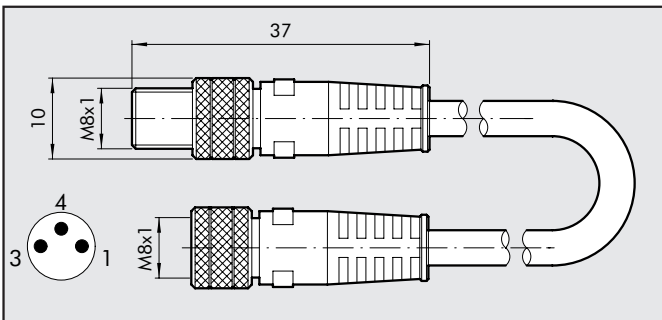
Code	Description
0240009036	M12 BUS-OUT female connector, B coding

M8-M12 PLUG



Code	Description
0240009039	M8 plug
0240009040	M12 plug

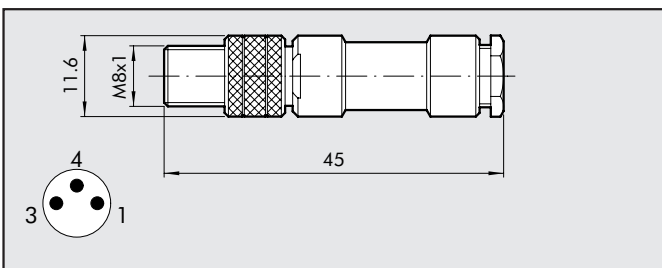
M8 INPUT CONNECTOR WITH CABLE



Code	Description
0240009009	M8-M8 straight connector with 3m cable

Pin	Cable colour
1	Brown
3	Blue
4	Black

M8 INPUT CONNECTOR

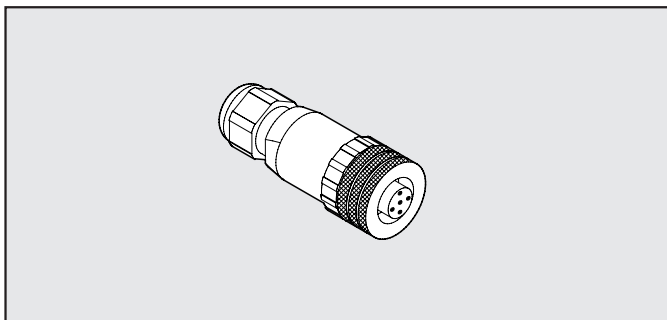


Code	Description
0240009010	M8 3-pin straight connector

Pin	Cable colour
1	Brown
3	Blue
4	Black

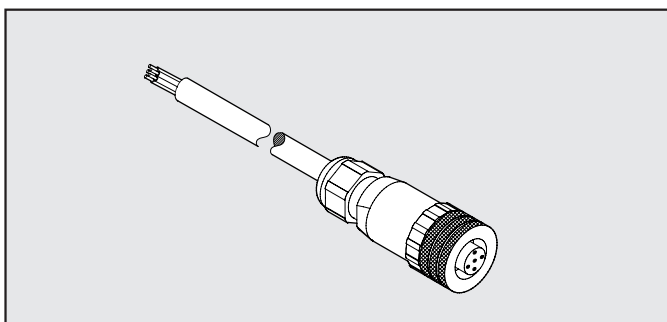


M12 STRAIGHT SUPPLY CONNECTOR



Code	Description
W0970513001	ACC. 5-PIN M12x1 STRAIGHT CONNECTOR

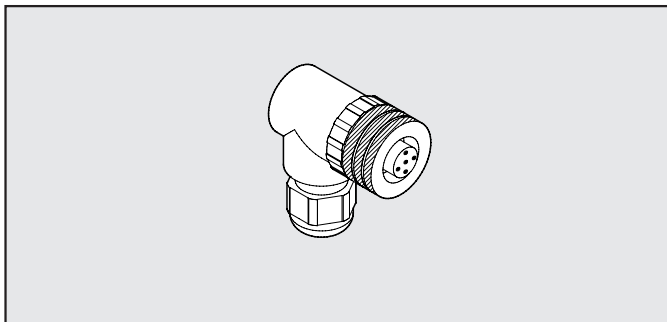
M12 STRAIGHT SUPPLY CONNECTOR WITH CABLE



Code	Description
W0970513002	ACC. 5-PIN M12x1 STRAIGHT CONNECTOR WITH 5m CABLE

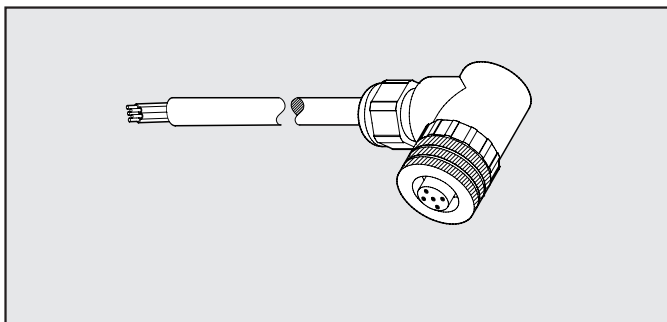
Pin	Cable colour
1	Brown
2	White
3	Blue
4	Black
5	Grey

M12 90° SUPPLY CONNECTOR



Code	Description
W0970513003	ACC. M12x1 5-PIN 90°CONNECTOR

M12 90° SUPPLY CONNECTOR WITH CABLE



Code	Description
W0970513004	ACC. M12x1 5-PIN 90° CONNECTOR WITH 5m CABLE

Pin	Cable colour
1	Brown
2	White
3	Blue
4	Black
5	Grey

METAL WORK S.p.A

Head office: Via Segni, 5-7-9 25062 - Concesio (Brescia) Italy - Tel. 030 21 87 11 - Fax 030 21 80 569

www.metalwork.it - metalwork@metalwork.it

The dimensions shown in this catalogue are subject to variations at any time without prior notice