

IN-LINE QUICK-EXHAUST VALVE WITH REGULATED EXHAUST SERIES VSRR L

The VSRR L quick-exhaust valve with regulated exhaust belongs to the line on line® family of products and can be linked in series or in parallel to all the other products.

It comes in a version for pipe-pipe connection, which includes two push-in fittings, and a version for thread-pipe connection, which includes a nickel-plated brass taper thread and push-in fitting.

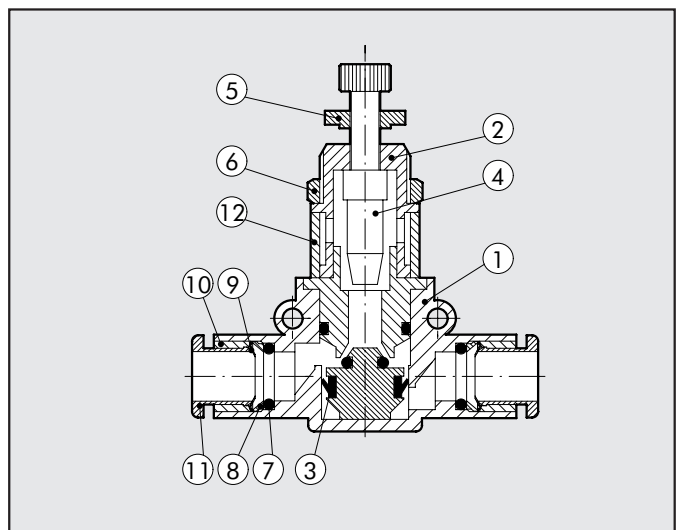
The main feature of these valves is that the discharge flow can be adjusted via a pin regulator. This allows you to control the speed of the actuator connected to the valve, giving a higher speed than with an MRF regulator.



TECHNICAL DATA		Ø 4	Ø 6	Ø 8
Max. operating pressure	MPa		1	
	bar		10	
Temperature range	psi		145	
	°C		-20 ÷ +60	
	°F		-4 ÷ +140	
Max flow rate on regulation at 6.3 bar ΔP 1 bar	NI/min	50	270	400
Flow rate on exhaust at 6.3 bar	NI/min	170	460	960
Adjustment		Manual or using a screwdriver		
Internal system		Tapered needle		
Recommended pipe		Rilsan PA 11 - Nylon 6 - Polyamide 12 - Polypropylene		
Fluid		Lubricated or unlubricated filtered air		
Compatibility with oils		see GENERAL CATALOGUE page 6.1/08 or web page www.metalwork.it/eng/materiali_compatibilita.html		

COMPONENTS

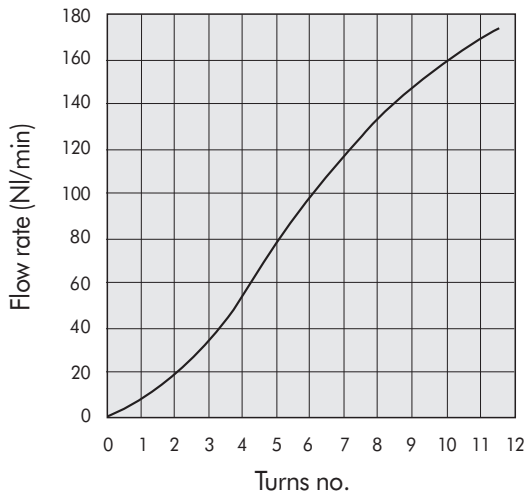
- ① Technopolymer body
- ② Nickel-plated brass seal support
- ③ NBR gasket
- ④ Brass adjusting needle
- ⑤ Nickel-plated brass needle ring nut
- ⑥ Nickel-plated brass wall fixing ring nut
- ⑦ NBR seal
- ⑧ Technopolymer spring ring
- ⑨ Stainless steel clip-on spring
- ⑩ Technopolymer stop bushing
- ⑪ Technopolymer release bushing
- ⑫ Sintered bronze silencer



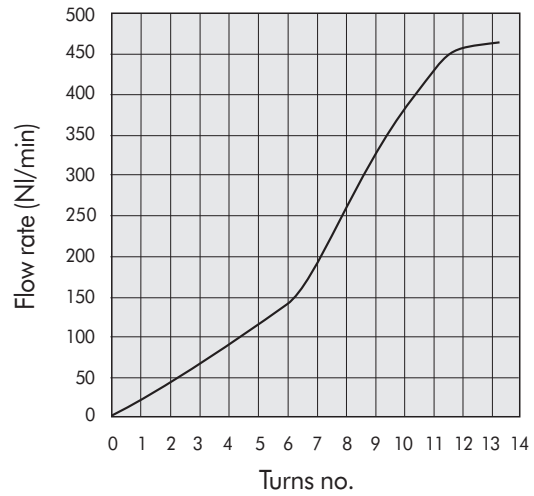


EXHAUST FLOW CHARTS VSRR L

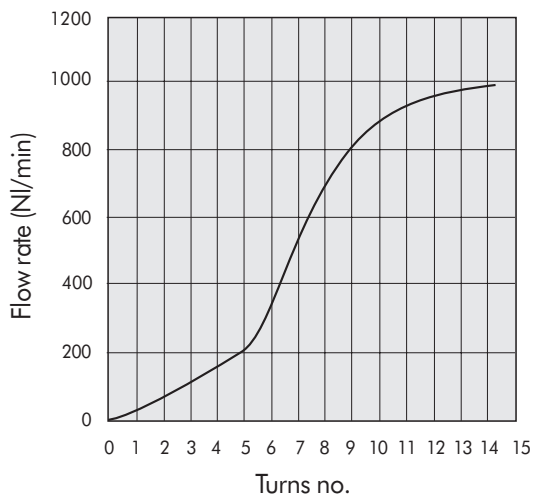
VSRR L Ø 4



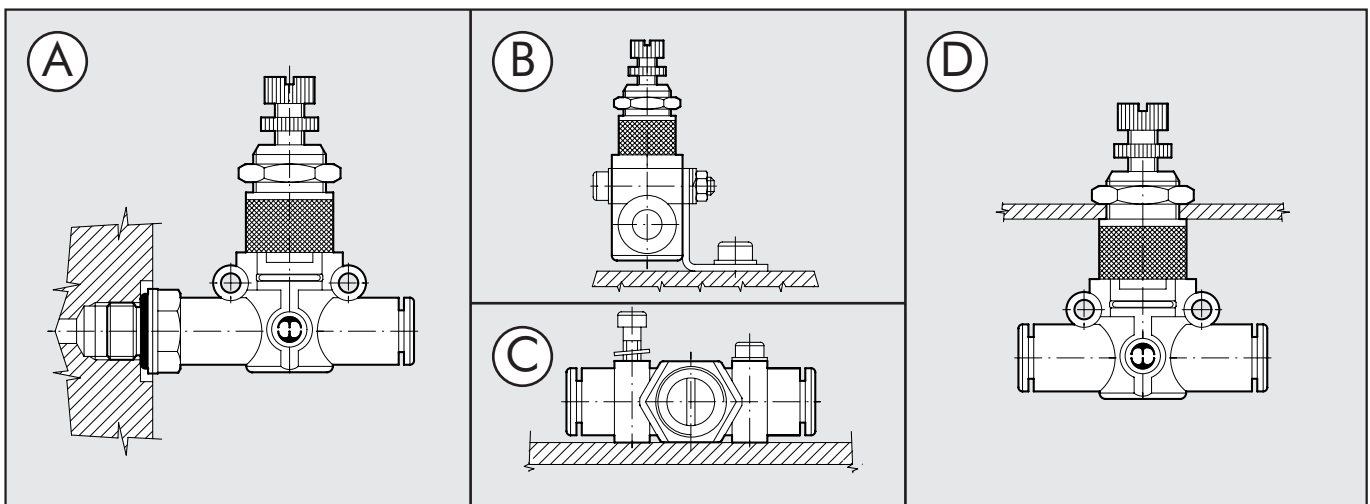
VSRR L Ø 6



VSRR L Ø 8



ASSEMBLY OPTIONS

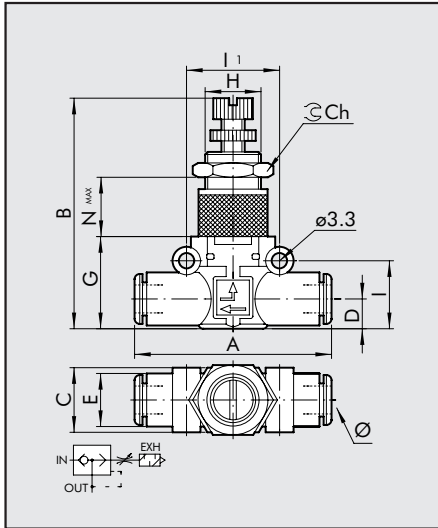


How to mount the VSRR L:

- Fig. A: With the male threaded port it is possible to mount the VSRR L straight onto the actuator or the control valve.
- Fig. B: Fixing to the plate with the special SQU L bracket.
- Fig. C: There are two robust rings on the plastic body for fixing the VSRR L straight onto the wall.
- Fig. D: The ring nut is screwed onto the threaded metal part of the VSRR L body for panel mounting.

VSRR PIPE-PIPE

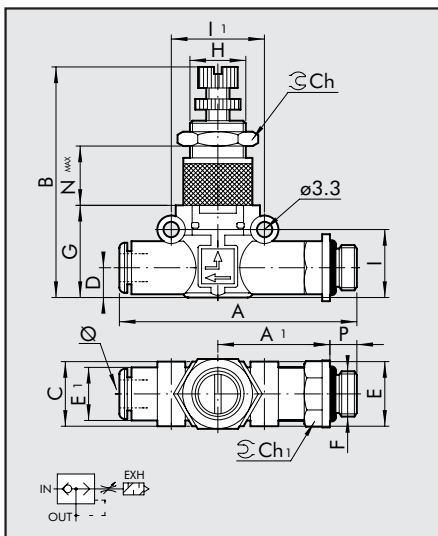
Code	Description	Ø	A	B	C	D	E	G	H	I	II	Ch	Nmax
------	-------------	---	---	---	---	---	---	---	---	---	----	----	------



9063501	VSRR L 4-4	4	42	39.5÷43.5	10.7	5.6	10	17.5	M9x0.75	12.8	16	11	11.5
9063516	VSRR L 6-6	6	49.4	47÷52	14.7	6.4	11.4	20	M12x0.75	14.6	20	15	15.5
9063524	VSRR L 8-8	8	57.3	56÷61.2	18.7	9.1	13.8	26	M15x1	18.7	24	17	18.5

VSRR L THREAD-PIPE

Code	Description	F	Ø	P	A	A1	B	C	D	E	E1
------	-------------	---	---	---	---	----	---	---	---	---	----

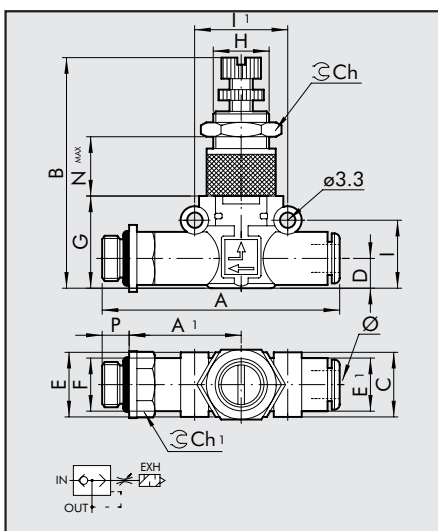


9063601	VSRR L M5-4	M5	4	4	47.7	22.7	39.5÷43.5	10.7	5.6	9.9	10
9063602	VSRR L 1/8-4	1/8	4	6	51.6	24.6	39.5÷43.5	10.7	5.6	14	10
9063608	VSRR L 1/8-6	1/8	6	6	58.5	27.8	47÷52	14.7	6.4	14	11.4
9063609	VSRR L 1/4-6	1/4	6	8	61.5	28.8	47÷52	14.7	6.4	18	11.4
9063610	VSRR L 1/8-8	1/8	8	6	66.2	31.8	56÷61.2	18.7	9.1	15	13.8
9063611	VSRR L 1/4-8	1/4	8	8	70.6	34.2	56÷61.2	18.7	9.1	18	13.8
9063612	VSRR L 3/8-8	3/8	8	9	72.2	34.8	56÷61.2	18.7	9.1	22	13.8

G	H	I	II	Ch	Ch1	Nmax
17.5	M9x0.75	12.8	16	11	9	11.5
17.5	M9x0.75	12.8	16	11	12	11.5
20	M12x0.75	14.6	20	15	12	15.5
20	M12x0.75	14.6	20	15	14	15.5
26	M15x1	18.7	26	17	14	18.5
26	M15x1	18.7	26	17	14	18.5
26	M15x1	18.7	26	17	17	18.5

VSRR L PIPE-THREAD

Code	Description	Ø	F	P	A	A1	B	C	D	E	E1
------	-------------	---	---	---	---	----	---	---	---	---	----

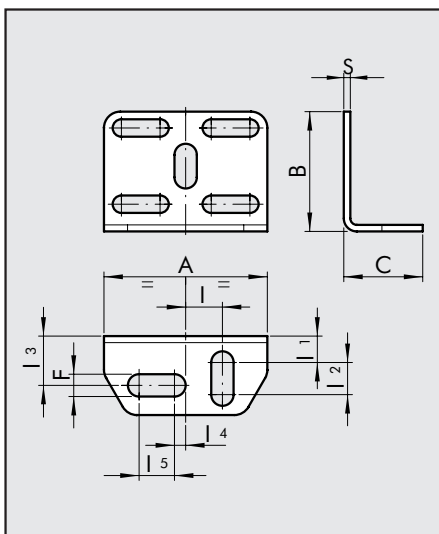


9063701	VSRR L 4-M5	4	M5	4	47.7	22.7	39.5÷43.5	10.7	5.6	9.9	10
9063702	VSRR L 4-1/8	4	1/8	6	51.6	24.6	39.5÷43.5	10.7	5.6	14	10
9063708	VSRR L 6-1/8	6	1/8	6	58.5	27.8	47÷52	14.7	6.4	14	11.4
9063709	VSRR L 6-1/4	6	1/4	8	61.5	28.8	47÷52	14.7	6.4	18	11.4
9063710	VSRR L 8-1/8	8	1/8	6	66.2	31.8	56÷61.2	18.7	9.1	15	13.8
9063711	VSRR L 8-1/4	8	1/4	8	70.6	34.2	56÷61.2	18.7	9.1	18	13.8
9063712	VSRR L 8-3/8	8	3/8	9	72.2	34.8	56÷61.2	18.7	9.1	22	13.8

G	H	I	II	Ch	Ch1	Nmax
17.5	M9x0.75	12.8	16	11	9	11.5
17.5	M9x0.75	12.8	16	11	12	11.5
20	M12x0.75	14.6	20	15	12	15.5
20	M12x0.75	14.6	20	15	14	15.5
26	M15x1	18.7	26	17	14	18.5
26	M15x1	18.7	26	17	14	18.5
26	M15x1	18.7	26	17	17	18.5



FIXING SQUARE KIT

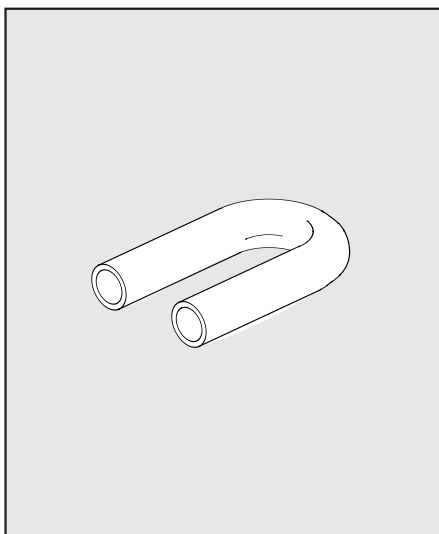


Code	Description	A	B	C	F	I	I1	I2	I3	I4	I5	S
------	-------------	---	---	---	---	---	----	----	----	----	----	---

9062110	SQU L	30	22	14.5	4.2	6.8	4.8	5.9	9.1	2	6.5	1.2
---------	-------	----	----	------	-----	-----	-----	-----	-----	---	-----	-----

NOTE: comes with two M3x16 screws (for L.O.L. Ø 4), two M3x25 (for L.O.L. Ø 6-Ø 8), two M3 hexagonal nuts, 2 groovers, 4 washers.

U-BOLT



Code	Description
------	-------------

9062216	TUB L 6-6
9062224	TUB L 8-8

NOTES

Blank area for notes.

METAL WORK S.p.A

Head office: Via Segni, 5-7-9 25062 - Concesio (Brescia) Italy - Tel. 030 21 87 11 - Fax 030 21 80 569
www.metalwork.it - metalwork@metalwork.it

The dimensions shown in this catalogue are subject to variations at any time without prior notice