

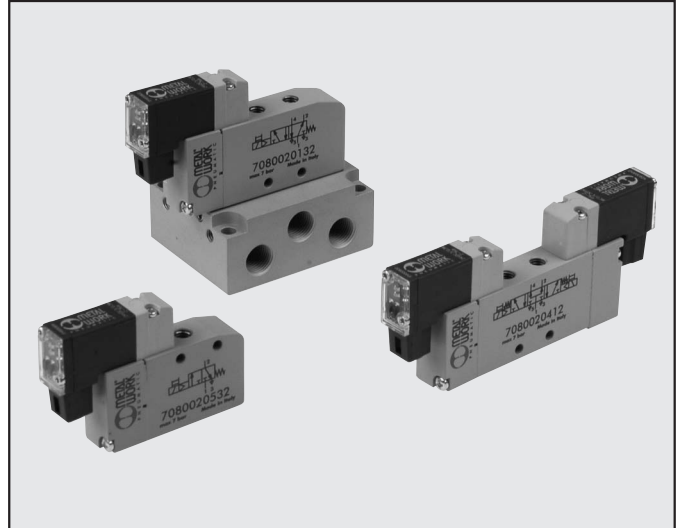
Space-saving valve, ideal for in industrial automation applications.

Made according to the well-proven design of the Mach series, the Minimach has a painted aluminium body to ensure extra sturdiness and reliable operation in even the harshest of environments.

The internal seals are made of FKM/FPM and are compatible with all oils used in compressors. The pneumatic couplings are M5 threaded, allowing the user to choose the diameter, type and angle of the fitting. The valve can be mounted in line or on a panel or multiple-port base.

The following versions are available:

- 3/2 normally open or normally closed
 - 5/2 monostable or bistable
 - 5/3 closed centres, open centres, pressure centres.
- Electropneumatic actuation with a 24V DC pilot.

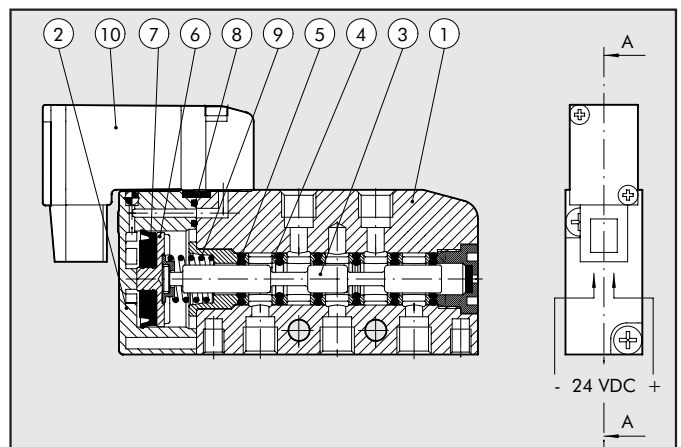


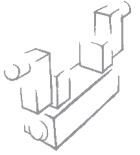
TECHNICAL DATA

Valve port thread		M5
Type of actuation		electric-pneumatic
Maximum external diameter of fittings	mm	Ø 11
Operating temperature range	°C	-10 ÷ +60
	°F	14 ÷ +140
Fluid		Filtered air without lubrication; lubrication, if used, must be continuous
Pressure range	MPa	0,3÷0,7
	bar	3÷7
	psi	44÷102
Flow rate at 6 bar ΔP 1 bar 3/2	NI/min	140
Flow rate at 6 bar ΔP 1 bar 5/2	NI/min	170
Flow rate at 6 bar ΔP 1 bar 5/3	NI/min	80
Voltage range		24 VDC ±10%
Power	W	0.9
Solenoid rating		100% ED
Operatore manuale		Monostable
TRA/TRR 3/2 at 6 bar	ms	8/23
TRA/TRR 5/2 monostable at 6 bar	ms	8/30
TRA/TRR 5/2 bistable at 6 bar	ms	9/30
TRA/TRR 5/3 at 6 bar	ms	9/30
Insulation class		F155
Degree of protection		IP 51
Installation		In any position. As for the bistable ones, if subject to vibration, the vertical assembly is not advisable
Compatibility with oils		see GENERAL CATALOGUE page 6.1/08 or webpage www.metalwork.it/eng/materiali_compatibilita.html

COMPONENTS

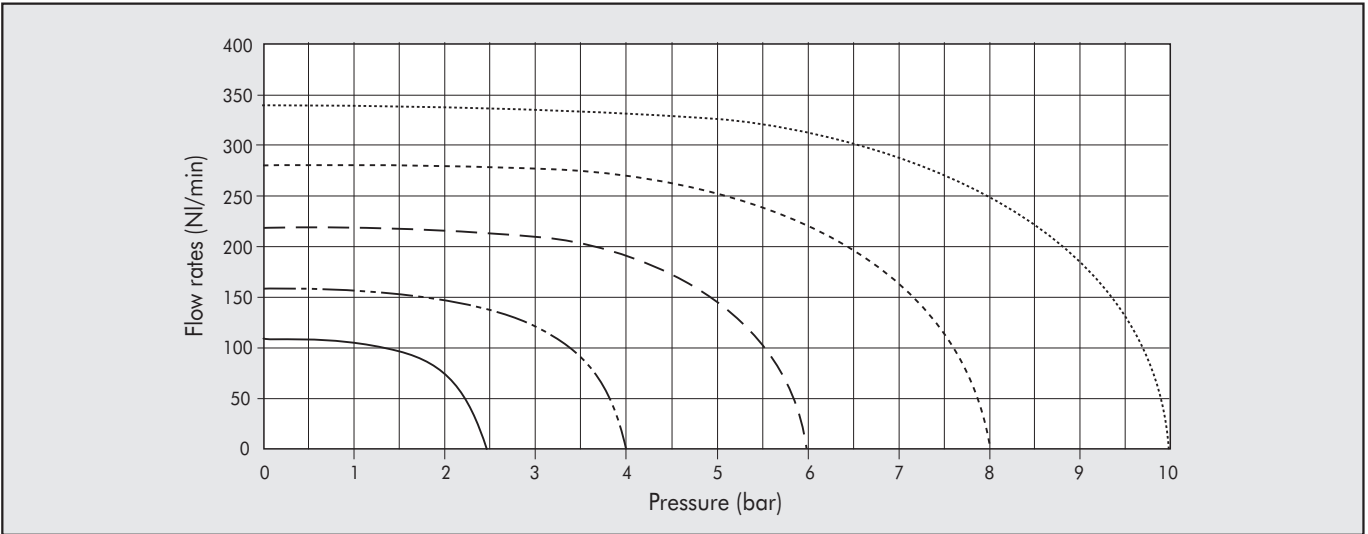
- ① VALVE BODY: chemically nickel-plated aluminium
- ② CONTROL/END CAP: Hostaform®
- ③ SPOOL: Aluminium
- ④ DISTANCE PLATES: tecnopolymer
- ⑤ GASKETS: FKM-FPM
- ⑥ PISTONS: Hostaform®
- ⑦ PISTON GASKET: Polyurethane
- ⑧ FILTER: sintered bronze
- ⑨ SPRING: special steel
- ⑩ PILOT: with integrated coil



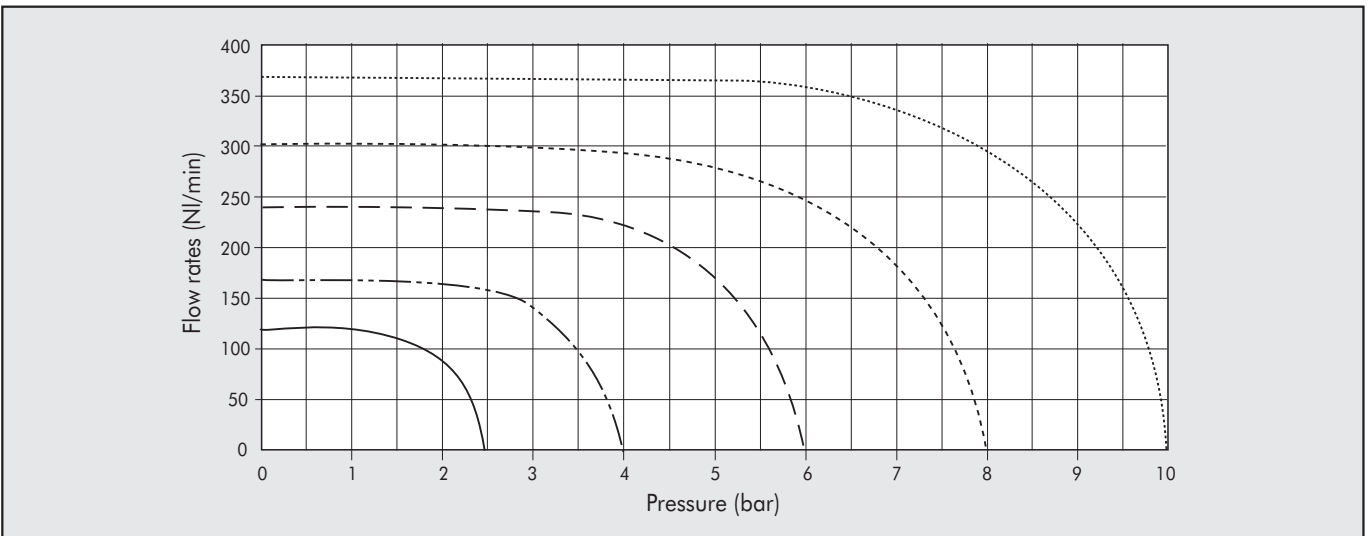


FLOW CHART

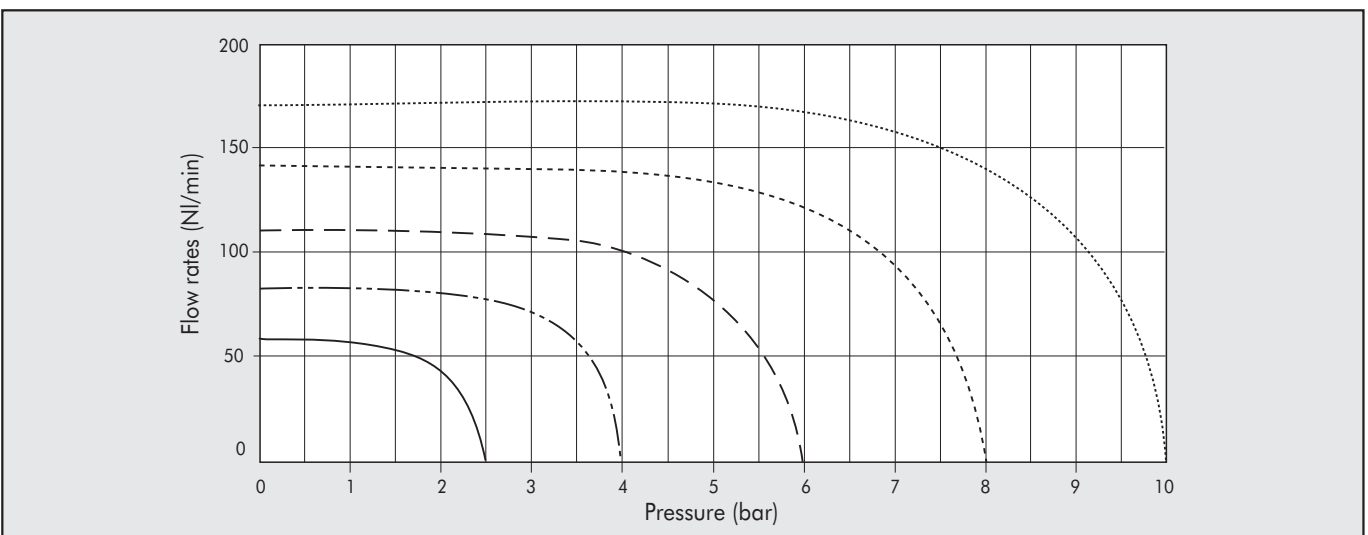
3/2



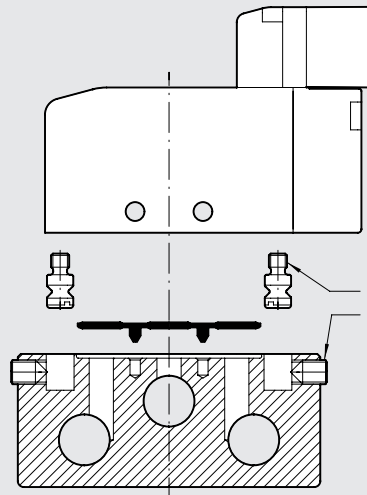
5/2



5/3



HOW TO FIX THE VALVE TO THE BASE

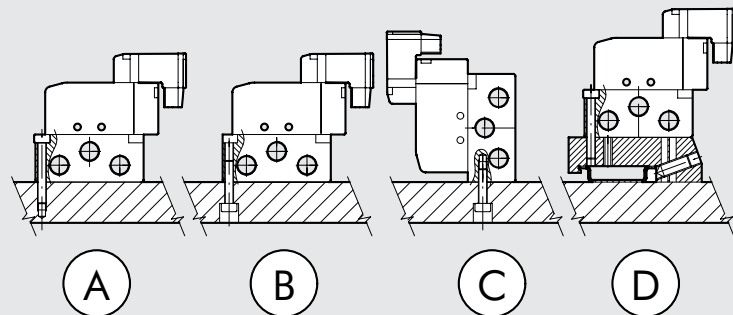


Proceed as follows:

- 1.screw the pins onto the valve;
- 2.secure them with the ready-mounted grub screws on the base (max. 0.5 Nm max)

IMPORTANT
To secure properly, press the valve down onto the base while tightening the two grub screws. Do not tighten one grub screw completely before starting to tighten the other.

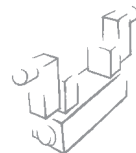
HOW TO FIX THE BASE



A – From the top using M4 screws
 B – From below using M5 screws
 C – From the side using M4 screws
 D – From the top on the DIN bar via the M4 screws and bracket code 0225004600 (using 1 screw per bracket)

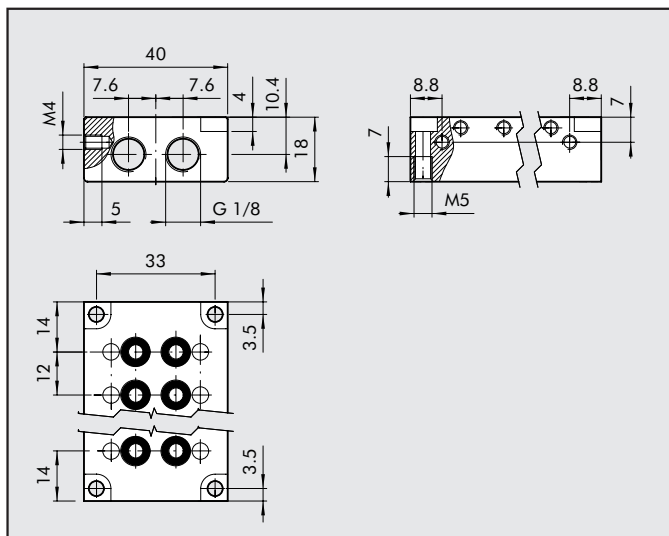
KEY TO CODES

M	S	V	1	5	S	O	B	O	O	2 4 V D C	
FAMILY		PORT		FUNCTION		OPERATORS 14		RESETTING		FURTHER DETAILS	
MSV	mini valv. solen.	1	M5	3	3/2	SO	Solenoid valve	B	bistable	NC	normally closed
				5	5/2			S	mechanical spring	NO	normally open
				6	5/3					OO	5/2 standard
										CC	closed centres
										OC	open centres
										PC	pressure centres
											24VDC



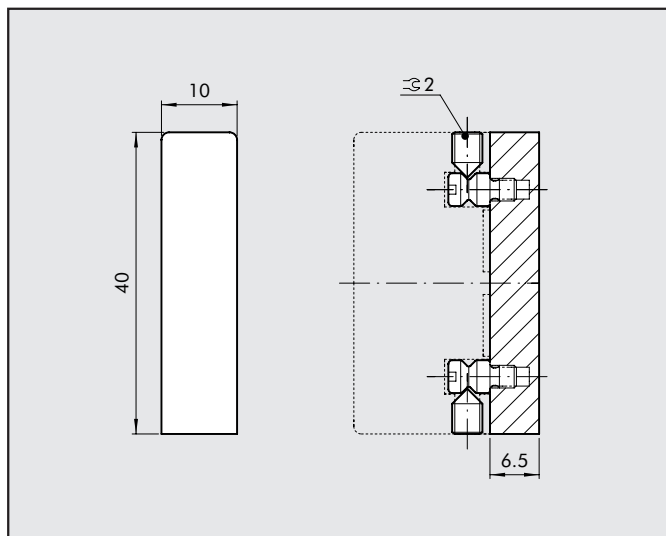
ACCESSORIES: MULTIPLE BASE FOR MINIMACH VALVES

3/2 MULTIPLE BASE



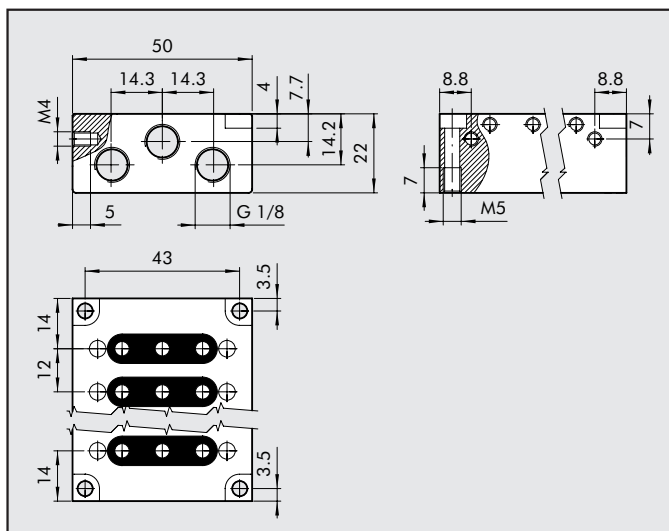
Code	Description	Position	Weight [g]
0225010201	BASE 2 POSN. FOR 3/2 VALVES MINIMACH	2	60
0225010401	BASE 4 POSN. FOR 3/2 VALVES MINIMACH	4	99
0225010601	BASE 6 POSN. FOR 3/2 VALVES MINIMACH	6	135
0225010801	BASE 8 POSN. FOR 3/2 VALVES MINIMACH	8	178

BLANKING PLATE FOR 3/2 VALVES



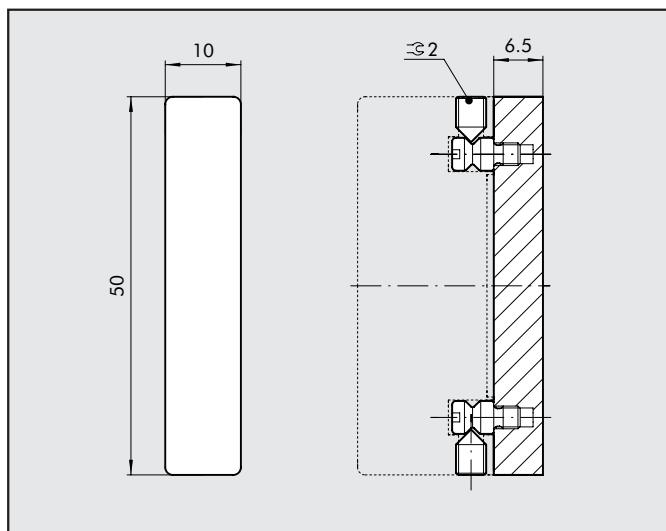
Code	Description	Weight [g]
0226009500	BLANKING PLATE FOR 3/2 BASES MINIMACH	9.5

5/2 -5/3 MULTIPLE BASE



Code	Description	Position	Weight [g]
0225020201	BASE 2 POSN. FOR 5/2-5/3 VALVES MINIMACH	2	95
0225020401	BASE 4 POSN. FOR 5/2-5/3 VALVES MINIMACH	4	154
0225020601	BASE 6 POSN. FOR 5/2-5/3 VALVES MINIMACH	6	211
0225020801	BASE 8 POSN. FOR 5/2-5/3 VALVES MINIMACH	8	270

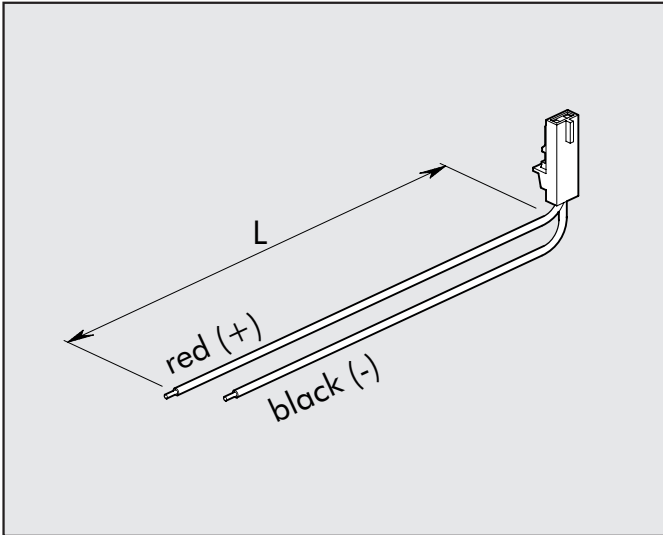
BLANKING PLATE FOR 5/2-5/3 VALVES



Code	Description	Weight [g]
0226009501	BLANKING PLATE FOR 5/2-5/3 BASES MINIMACH	11

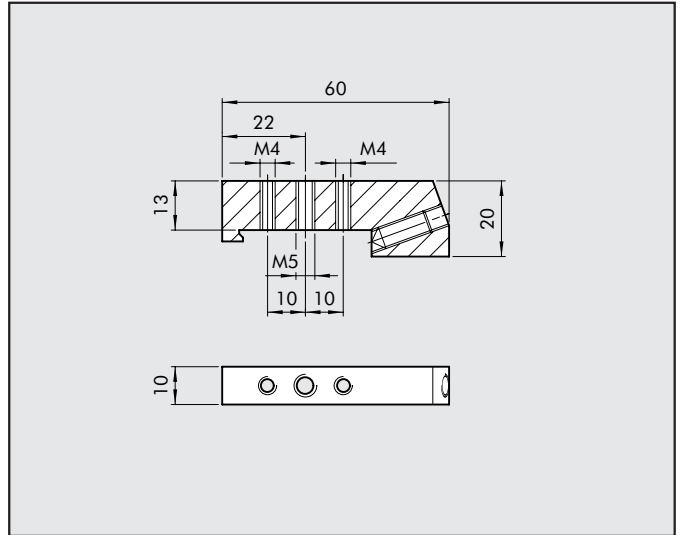
ACCESSORIES

PLUG-IN CONNECTOR



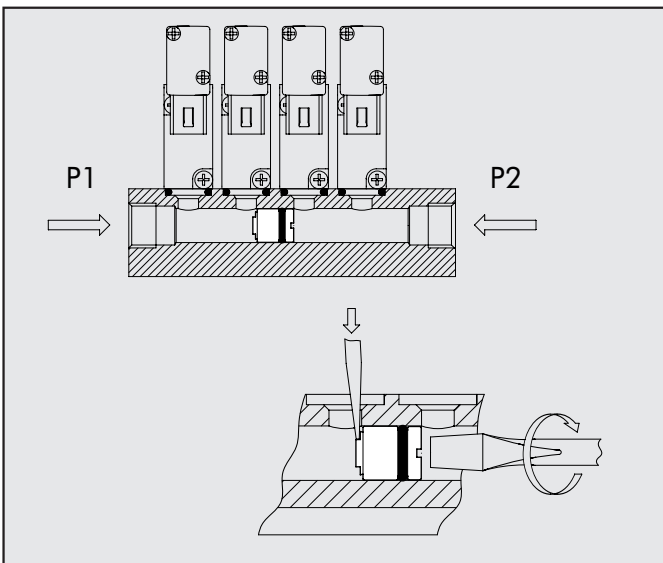
Code	Description
W0970512000	PLUG-IN CONNECTOR FOR MACH 11 L= 300

Ω BAR ADAPTER



Code	Descrizione	Weight [g]
0225004600	ACC. OMEGA-ADAPTER	46

INTERMEDIATE DIAPHRAGM



Code	Description	Weight [g]
0226009010	ACC. MULTIPLE BASE DIAPHRAGM	3.5

NOTES

