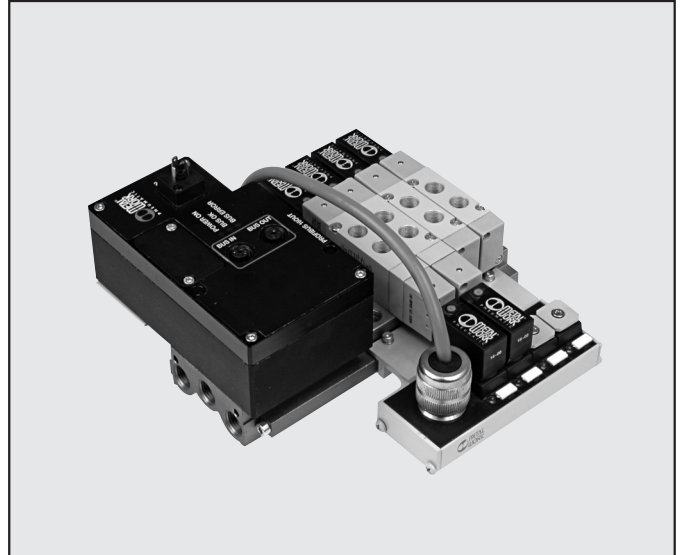


# IP 65 PROFIBUS-DP MACH 16-DEDICATED

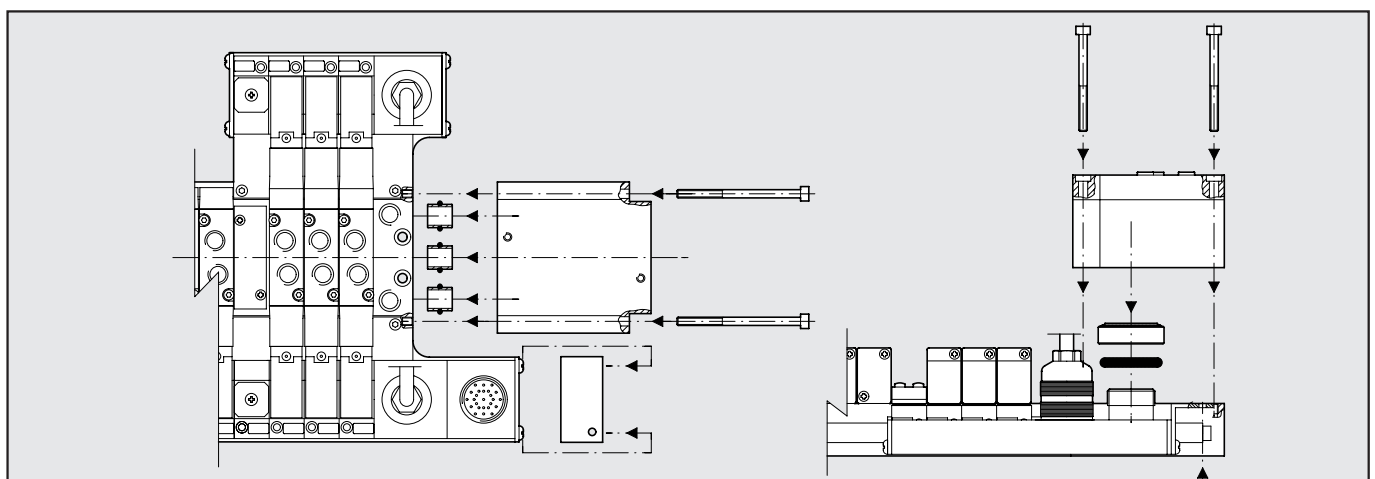
A high-integration robust system for Mach 16 batteries. The slave is fixed directly on the multiple connector so a valve island with multiple connection can be converted into an island with slaves. The slave is protected from polar inversion and overloads by a replaceable fuse, and the output drivers protect each valve against shortcircuiting. In the case of a short-circuit, which is indicated by the EXT FAULT red LED coming on, only the faulty valve is disconnected. The fuse and output restart button are situated below the rectangular cover, where the revolving switches for addressing and the dip switches for activating termination resistances are also located. A single power supply for bus and output, with a DIN-C connector.

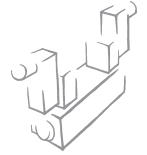
A few important precautions must be borne in mind: the slave must be earthed through a threaded hole at the back of the slave; the M2 connectors of the bus must be the metal type to ensure electric insulation.



TECHNICAL DATA		PROFIBUS DP
Versions		16 outputs
Supply voltage		24 Vdc ± 10%, approx. 100 mA
Degree of protection		IP65
Temperature		-20 ÷ 55°C (-4 ÷ 131° F)
<b>Field Bus Data</b>	Transmission protocol	Profibus-DP DIN E 19245
	Transmission mode	synchronous or Freeze-Mode
	Transmission speed	12 MBit/s
	Addresses	rotating switches BCD, 0.....99
<b>Output Technical Data</b>	Voltage	24 VDC ( from 18 to 30V) maximum voltage for each actuator
	Maximum current for each actuator	350mA
	Maximum current contemporary	450mA OUT 1 ÷ 8 + 450mA OUT 9 ÷ 16
	Maximum signal exchange frequency	100 Hz, Ohm 1 Hz induction
	Indicator LED	One LED for each output
<b>Diagnosis</b>	Protections	by short-circuit or overload of each single outel
	Field Bus	RUN-LED
	Bus error	LED + alarm signal to master
	Switch-on signal	Power LED
	Peripheral failure	Alarm signal to master
<b>Protections</b>		Polar inversion, short-circuit or overload

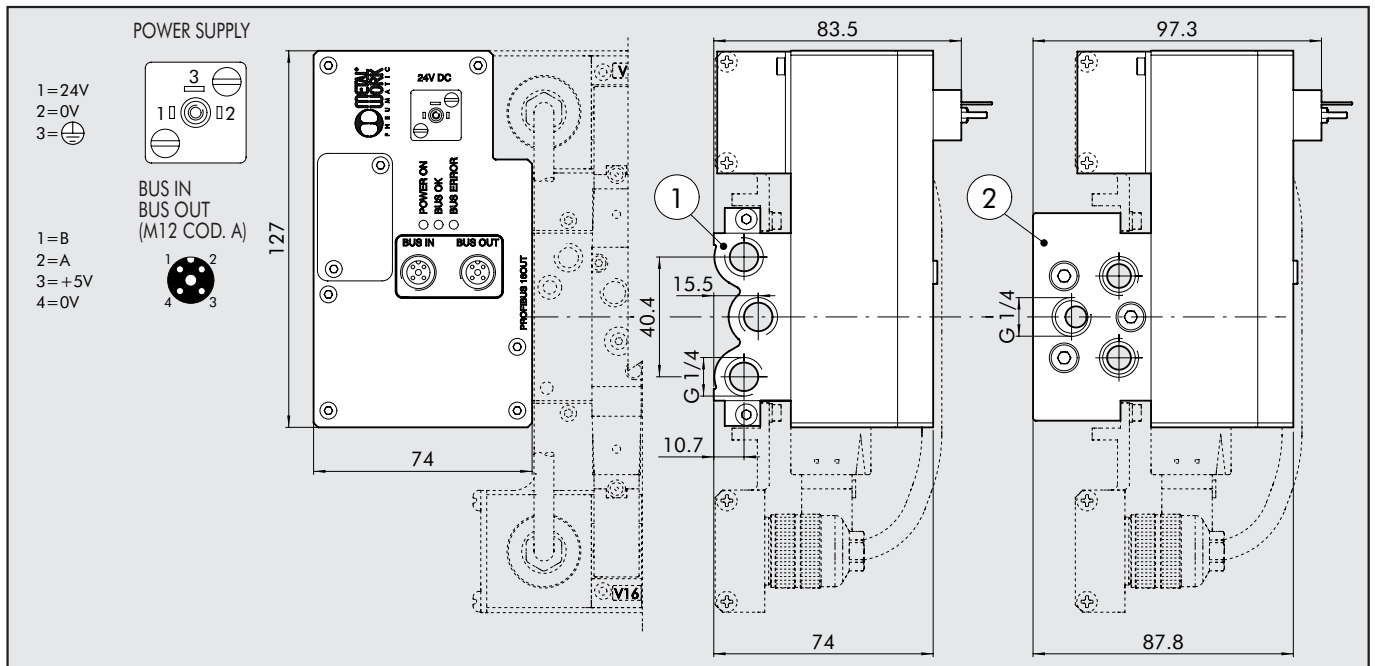
## SLAVE ASSEMBLY, MACH 16 DEDICATED





# PROFIBUS-DP

## 16-OUTPUT SLAVE



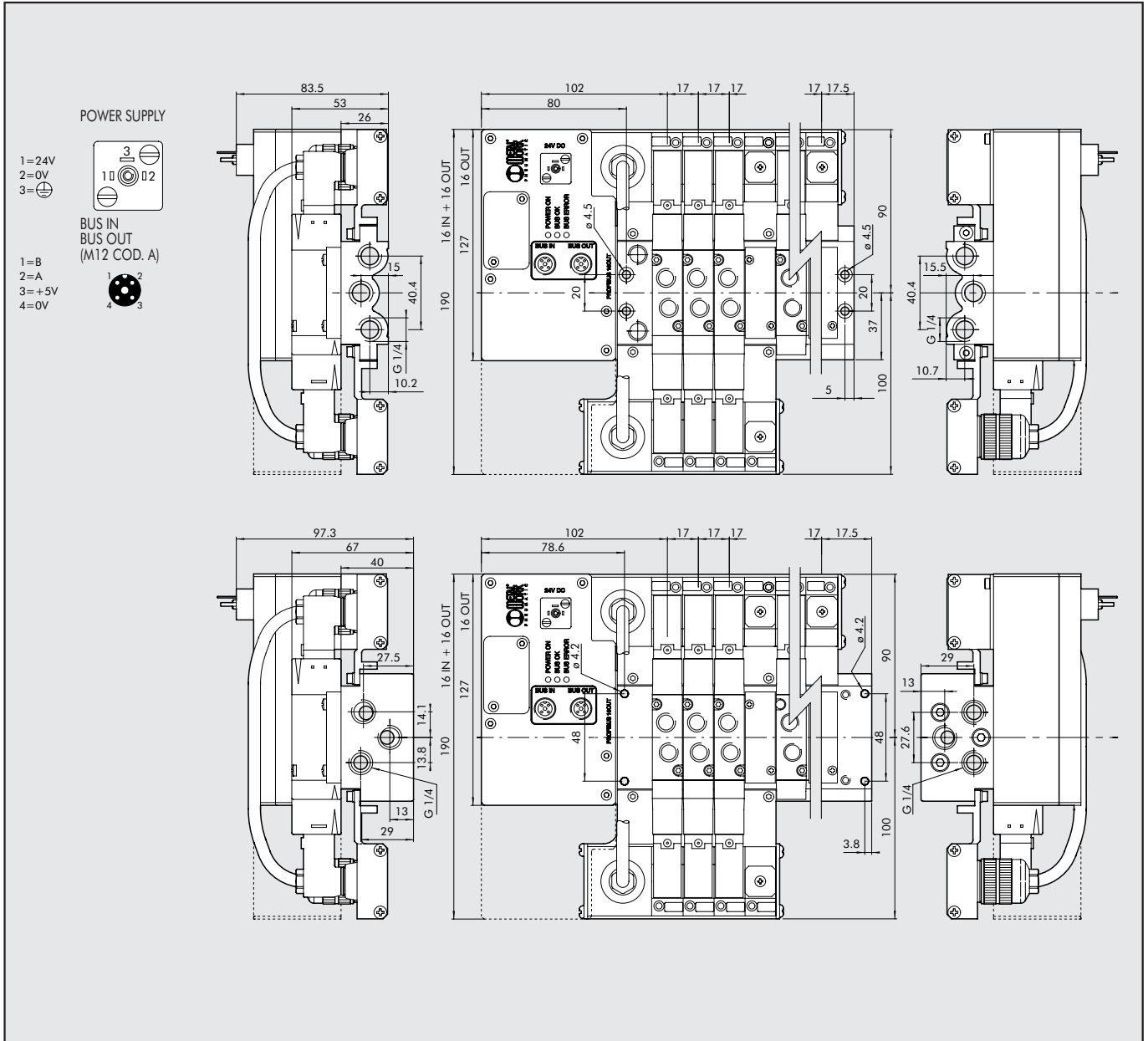
	Code	Slave kit
①	0240003001	PROFIBUS-DP SLAVE 16 OUT FOR MULTIPLE BASE
②	0240003007	PROFIBUS-DP SLAVE 16 OUT FOR MODULAR BASE

The slave kit includes the slave, the fixing screws and the adapter base.

### NOTES

Blank area for notes.

## 16-OUTPUT SLAVE, COMPLETE WITH VALVES



### KEY TO CODES

BUS	P	V	1 6 O	A	MCN	0 4	M	M	6	V	L
	P Profibus	V IP 65	16 OUT	A Mach 16 Multiple base B Mach 16 Modular base	MCN electrical connector	04 4 posit. 06 6 posit. 08 8 posit. 10 10 posit. 12 12 posit.	M MSV 25 SMS 00 M6 MSV G5 SMS 00 M8 MSV H5 SMS 00 V MSV 25 SCS 00 L MSV 25 SMP 00 L6 SMV G5 SMP 00 L8 MSV H5 SMP 00 J MSV 25 SMB 00 J6 MSV G5 SMB 00 J8 MSV H5 SMB 00 K MSV 25 SCB 00 G MSV 26 SMS CC G6 MSV G6 SMS CC	G8 MSV H8 SMS CC O MSV 26 SCS CC E MSV 26 SMS OC E6 MSV G6 SMS OC E8 MSV H8 SMS OC F MSV 26 SCS OC B MSV 26 SMS PC B6 MSV G6 SMS PC B8 MSV H8 SMS PC C MSV 26 SCS PC A BLANKING PLATE D INTERMEDIATE DIAPHRAGM			

N.B. The valve connection order in the diagram above is as follows - from left to right, starting from the slave. The first left figure corresponds to the valve close to the slave on the base. There are 12 figures. When ordering a bottom base with less than 12 positions, complete the code entering 0 in the other boxes.

