

CNOMO SOLENOID VALVE

Solenoid valve to CNOMO 060580.

- 3/2 version normally closed
- Bistable and monostable manual actuation
- Assembly on manifold base

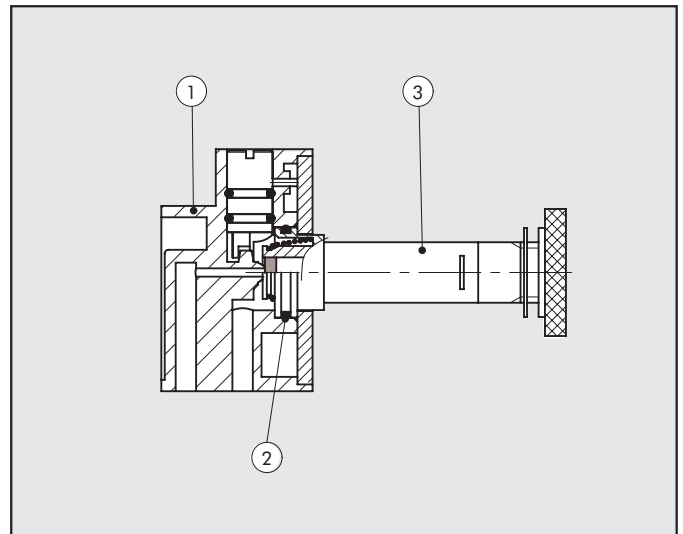
TECHNICAL DATA

Operating pressure	P	Max 10 bar
Operating temperature range	T	-10°÷60°C
Solenoid rating		100% ED
Fluid		filtered lubricated or unlubricated air
System		with poppet
Nominal flow rate	Qn	40 NI/min
Response times	msec	TRA 22 msec TRR 32 msec
Max. coil/nut torque		10 Nm

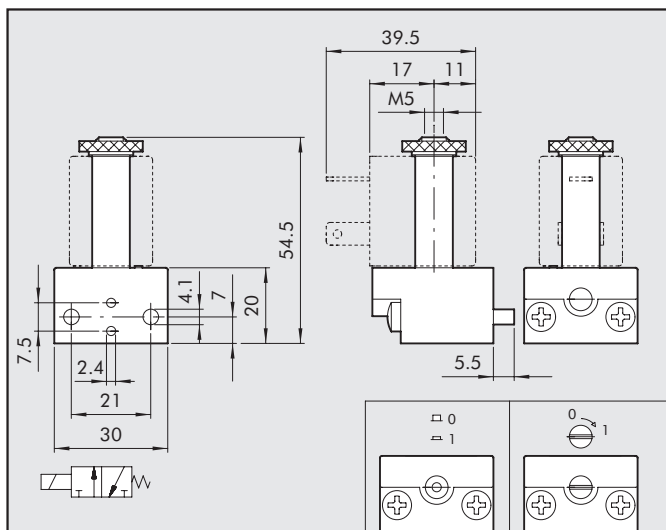


COMPONENTS

- ① VALVE BODY: HOSTAFORM®
- ② GASKETS: NBR nitrile rubber
- ③ OPERATOR: Brass pipe, stainless steel core



DIMENSIONS

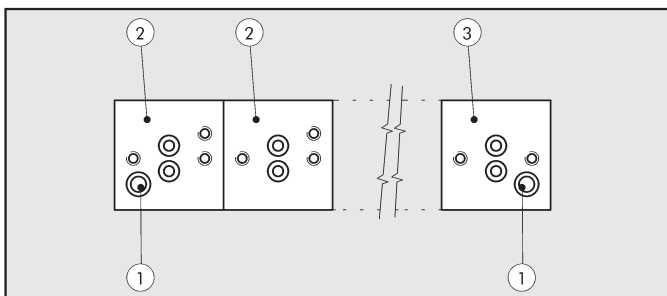


Code	Description
9453920	CNOMO 3/2 WITH MONOSTABLE MANUAL ACTUATION
9453922	CNOMO 3/2 WITH BISTABLE MANUAL ACTUATION



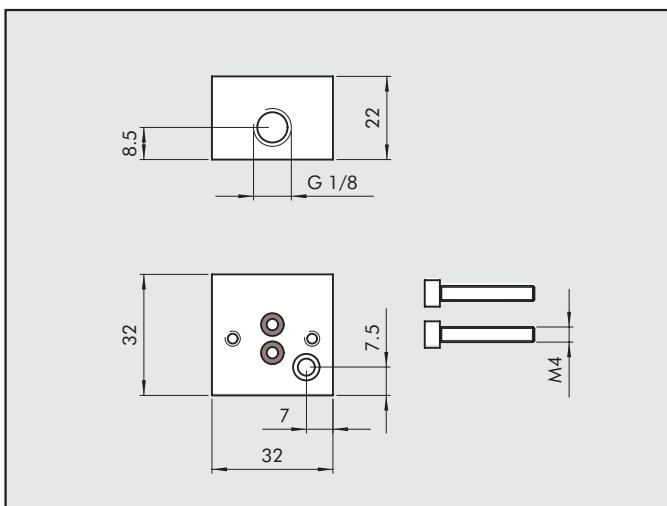
MODULAR CONFIGURATION OF CNOMO BASES

COMPONENTS

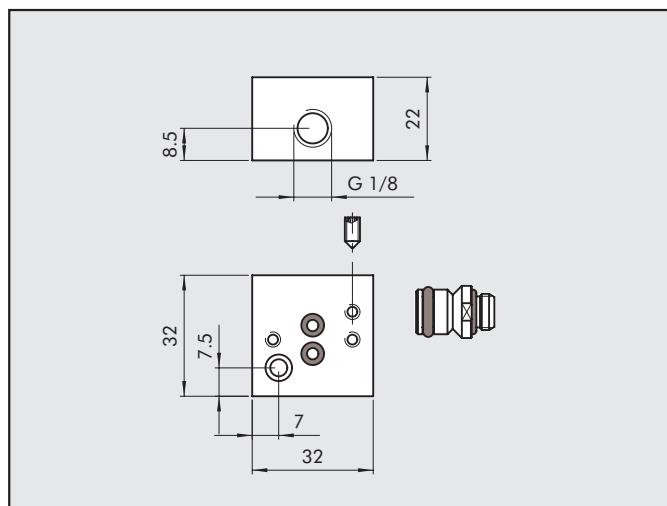


- ① Two fixing screws (included in input kit)
- ② CNOMO manifold base kit
- ③ CNOMO manifold base input kit

CNOMO MANIFOLD BASE INPUT KIT



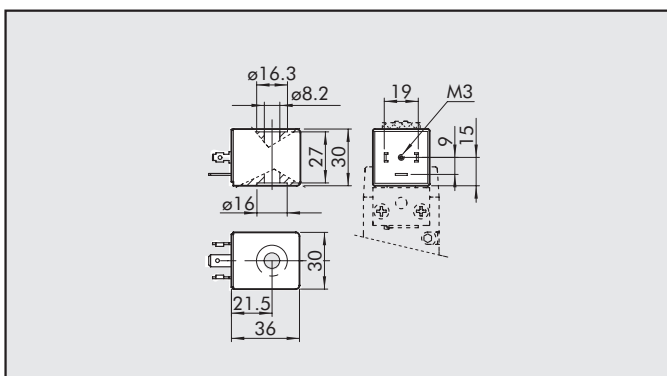
CNOMO MANIFOLD BASE KIT



Code	Description
0227000200	CNOMO MANIFOLD BASE INPUT KIT

Code	Description
0227000150	CNOMO MANIFOLD BASE KIT

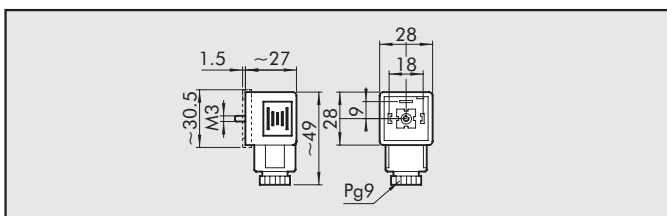
COILS, SIDE 30 mm



- Electric contact DIN 43650 Shape A
- Voltage tolerance: -10%/-10%
- Insulation class: F155
- Degree of protection: IP65 EN 60529 with connector
- Solenoid rating: 100% ED
- Maximum coil temperature at 100% ED use 70°C at 20° ambient temperature

Code	Nominal voltage	Absorption		Abbrev.
		Inrush	Holding	
W0210010100	24Vcc	5W	4W	Coil 30 Ø8 4W-24VDC
W0210011100	24V 50/60Hz	10VA	4VA	Coil 30 Ø8 4VA-24VAC
W0210012100	110V 50/60Hz	10VA	4VA	Coil 30 Ø8 4VA-110VAC
W0210013100	220V 50/60Hz	10VA	4VA	Coil 30 Ø8 4VA-220VAC

CONNECTOR ON SIDE 30 mm



Code	Colour	Cable diameter	Type
W0970520033	black	PG9	Standard
W0970520034	transparent	PG9	LED 24V
W0970520035	transparent	PG9	LED 110V
W0970520036	transparent	PG9	LED 220V
W0970520037	transparent	PG9	LED + VDR 24V
W0970520038	transparent	PG9	LED + VDR 110V
W0970520039	transparent	PG9	LED + VDR 220V