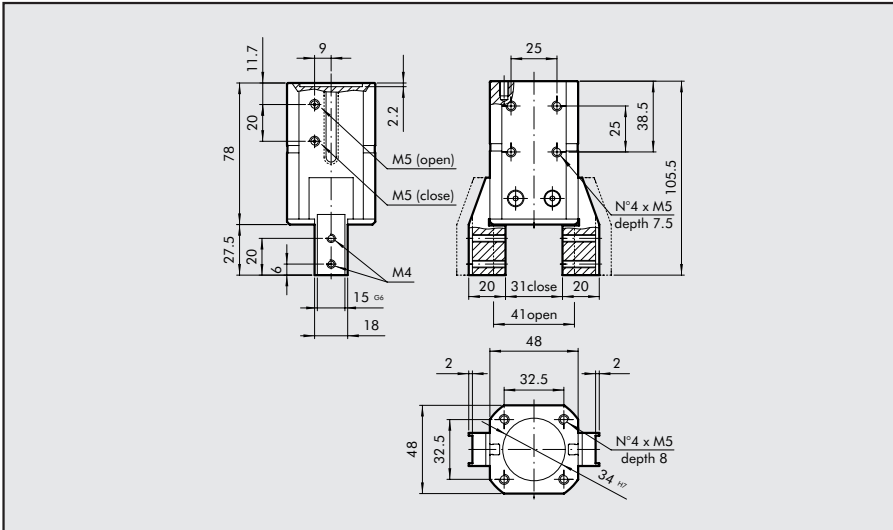






## DIMENSIONS OF GRIPPERS P1-32



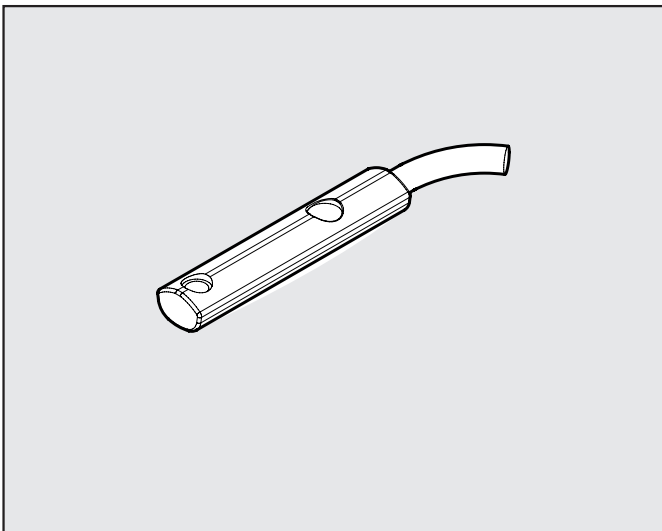
## ORDERING CODES

| Code        | Description                        |
|-------------|------------------------------------|
| W1550320001 | GRIPPER WITH 2 PARALLEL JAWS P1-32 |

1

## ACCESSORIES: MAGNETIC SENSORS

### RETRACTABLE SENSOR WITH INSERTION FROM ABOVE



| Code        | Description                                    |
|-------------|--|
| W0952025390 | HALL N.O. SENSOR, VERTICAL INSERTION 2.5m      |
| W0952029394 | HALL N.O. SENSOR, VERTICAL INSERTION 300 mm M8 |
| W0952022180 | REED N.O. SENSOR, VERTICAL INSERTION 2.5m      |
| W0952028184 | REED N.O. SENSOR, VERTICAL INSERTION 300 mm M8 |
| W0952125556 | HALL N.O. SENSOR, VERTICAL INSERTION 2m ATEX   |

See page 1.2/28 for wiring diagram.

## NOTES