

# IN-LINE SHUTOFF VALVE Series "V2V L" and "V3V L"

V2V L and V3V L shutoff valves belong to the LINE ON LINE® family which means they can be connected to all the other components in series or in parallel.

Available in the version for pipe-pipe connection with two push-in fittings, and in the version for thread-pipe connection with a brass nickel-plated male thread and a push-in fitting. V2V is a two-way unidirectional valve, while V3V is a three-way valve with free discharge in the area around the control knob.

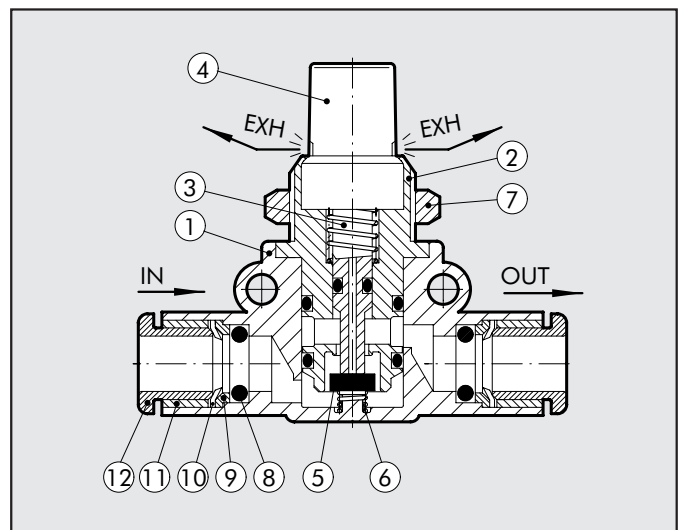
The locked version is probably the smallest available on the market. A lock is provided to ensure the valve is kept in the closed position during machine maintenance. The valve is supplied complete with a lock and two keys.



TECHNICAL DATA		Ø 6	Ø 8
Operating pressure	MPa	1	
	bar	10	
	psi	145	
Temperature range	°C	-20 to +60	
	°F	-4 to +140	
Inlet Flow rate at 6.3 bar ΔP 1 bar	NI/min	280	470
Exhaust Flow rate 6.3 bar	NI/min	110	110
Recommended pipe Fluid		Rilsan PA 11 – Nylon 6 – Polyamide 12 – Polypropylene lubricated or unlubricated filtered compressed air; if used, must be continuous	

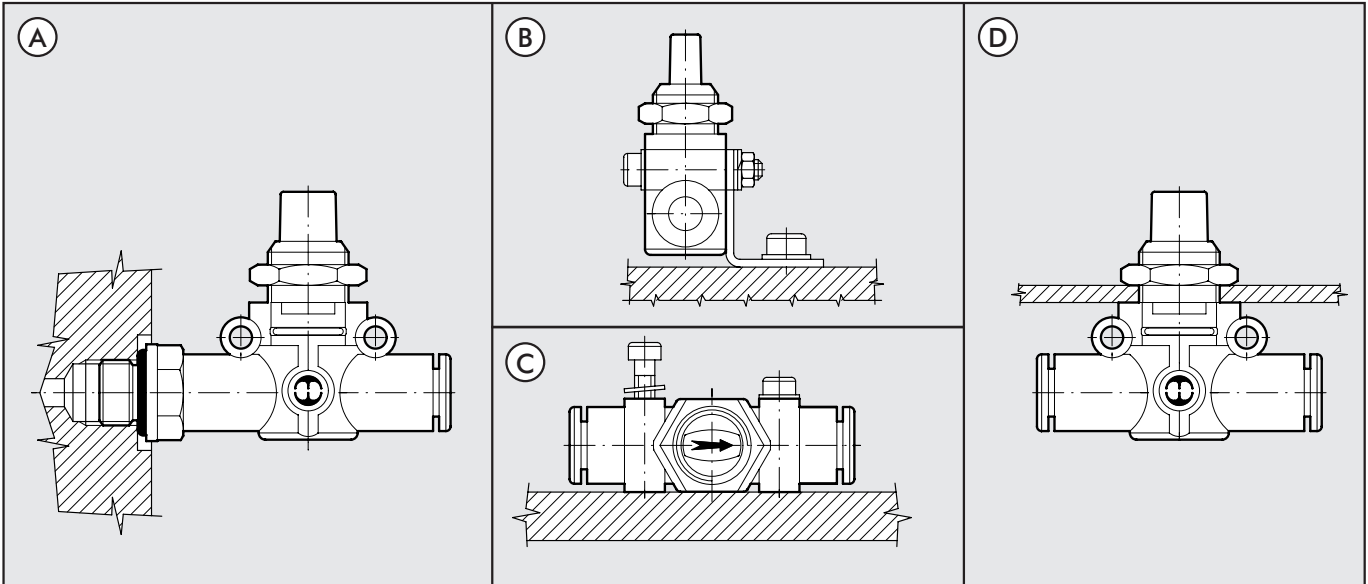
## COMPONENT PARTS

- ① Technopolymer body
- ② Nickel-plated brass insert
- ③ Brass rod
- ④ Technopolymer knob
- ⑤ NBR valve
- ⑥ Stainless steel valve compression spring
- ⑦ Nickel-plated brass wall-mount ring nut
- ⑧ NBR gasket
- ⑨ Technopolymer spring ring
- ⑩ Stainless steel folding spring
- ⑪ Technopolymer locking bushing
- ⑫ Technopolymer release bushing





## ASSEMBLY OPTIONS

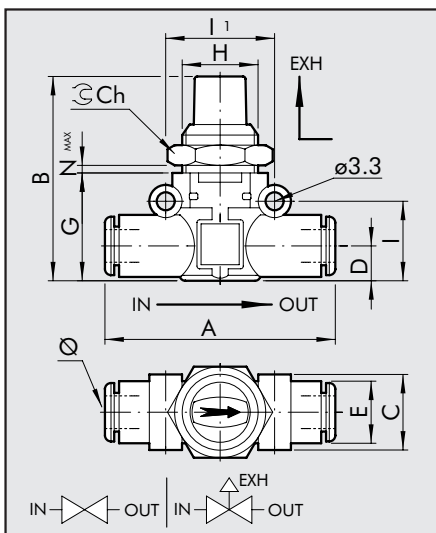


How to mount the V2V/V3V L:

- Fig. A: With the male threaded port it is possible to mount the V2V/V3V L straight onto the female thread.
- Fig. B: Fixing to the plate with the special SQU L bracket.
- Fig. C: There are two robust rings on the plastic body for fixing the V2V/V3V L straight onto the wall.
- Fig. D: the rig nut is screwed onto the threaded metal part of the V2V/V3V L body for panel mounting.

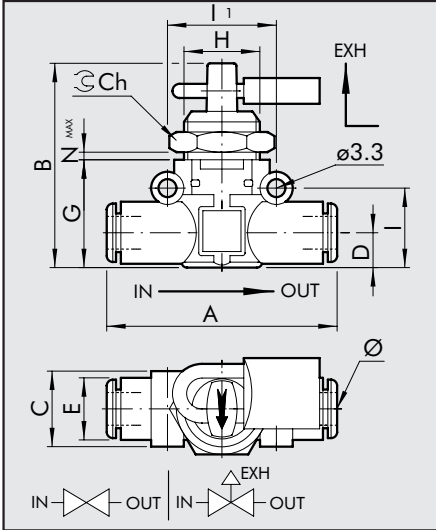
## OVERALL DIMENSIONS AND ORDERING CODES

V2V/V3V L PIPE-PIPE	Code	Ref.	Ø	A	B	C	D	E	G	H	I	II	Ch	Nmax
---------------------	------	------	---	---	---	---	---	---	---	---	---	----	----	------



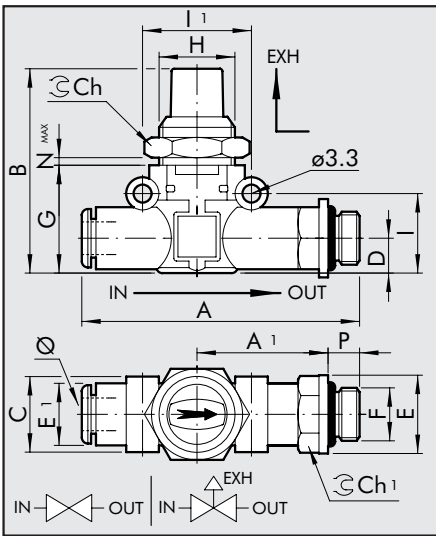
9065016	V2V L 6-6	6	49.4	41	14.7	6.4	11.4	21	M15x1	14.6	20	17	5.5
9066016	V3V L 6-6												
9065024	V2V L 8-8	8	57.3	46	18.7	9.1	13.8	26	M15x1	18.7	24	17	5.5
9066024	V3V L 8-8												

**V2V/V3V L PIPE-PIPE  
PADLOCKED**



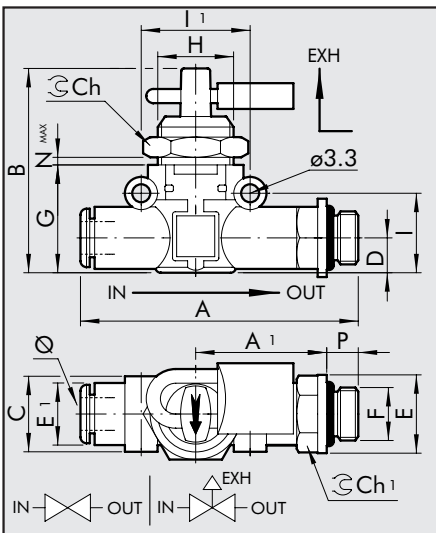
Code	Ref.	Ø	A	B	C	D	E	G	H	I	I1	Ch	Nmax
9065116	V2V L 6-6 KEY	6	49.4	41	14.7	6.4	11.4	21	M15x1	14.6	20	17	5.5
9066116	V3V L 6-6 KEY												
9065124	V2V L 8-8 KEY	8	57.3	46	18.7	9.1	13.8	26	M15x1	18.7	24	17	5.5
9066124	V3V L 8-8 KEY												

**V2V/V3V L PIPE-THREAD**



Code	Ref.	Ø	F	P	A	A1	B	C	D	E	E1	G	H	I	I1	Ch	Ch1	Nmax
9065208	V2V L 6-1/8	6	1/8	6	58.5	27.8	41	14.7	6.4	14	11.4	21	M15x1	14.6	20	17	12	5.5
9066208	V3V L 6-1/8																	
9065209	V2V L 6-1/4	6	1/4	8	61.5	28.8	41	14.7	6.4	18	11.4	21	M15x1	14.6	20	17	14	5.5
9066209	V3V L 6-1/4																	
9065210	V2V L 8-1/8	8	1/8	6	66.2	31.8	46	18.7	9.1	15	13.8	26	M15x1	18.7	24	17	14	5.5
9066210	V3V L 8-1/8																	
9065211	V2V L 8-1/4	8	1/4	8	70.6	34.2	46	18.7	9.1	18	13.8	26	M15x1	18.7	24	17	14	5.5
9066211	V3V L 8-1/4																	
9065212	V2V L 8-3/8	8	3/8	9	72.2	34.8	46	18.7	9.1	22	13.8	26	M15x1	18.7	24	17	17	5.5
9066212	V3V L 8-3/8																	

**V2V/V3V L PIPE-THREAD  
PADLOCKED**

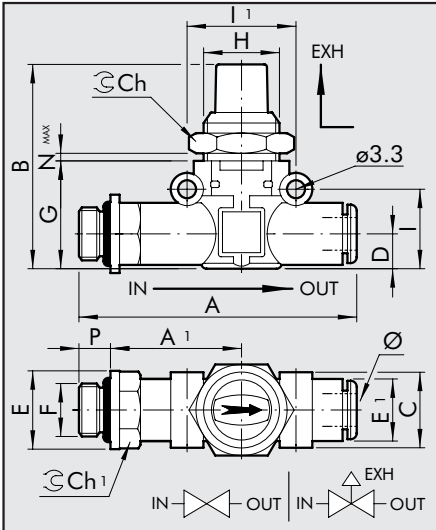


Code	Ref.	Ø	F	P	A	A1	B	C	D	E	E1	G	H	I	I1	Ch	Ch1	Nmax
9065308	V2V L 6-1/8 KEY	6	1/8	6	58.5	27.8	41	14.7	6.4	14	11.4	21	M15x1	14.6	20	17	12	5.5
9066308	V3V L 6-1/8 KEY																	
9065309	V2V L 6-1/4 KEY	6	1/4	8	61.5	28.8	41	14.7	6.4	18	11.4	21	M15x1	14.6	20	17	14	5.5
9066309	V3V L 6-1/4 KEY																	
9065310	V2V L 8-1/8 KEY	8	1/8	6	66.2	31.8	46	18.7	9.1	15	13.8	26	M15x1	18.7	24	17	14	5.5
9066310	V3V L 8-1/8 KEY																	
9065311	V2V L 8-1/4 KEY	8	1/4	8	70.6	34.2	46	18.7	9.1	18	13.8	26	M15x1	18.7	24	17	14	5.5
9066311	V3V L 8-1/4 KEY																	
9065312	V2V L 8-3/8 KEY	8	3/8	9	72.2	34.8	46	18.7	9.1	22	13.8	26	M15x1	18.7	24	17	17	5.5
9066312	V3V L 8-3/8 KEY																	



**V2V/V3V L THREAD-PIPE**

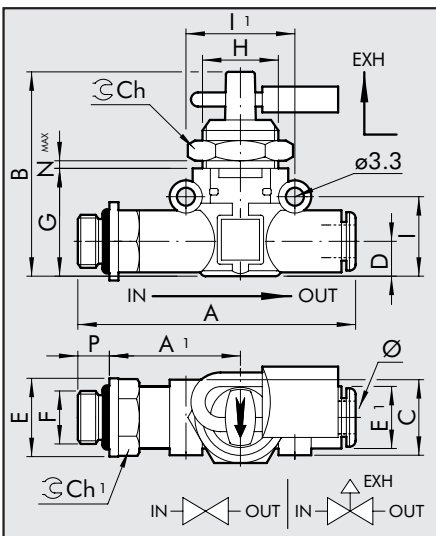
Code Ref. F Ø P A A1 B C D E E1 G H I I1 Ch Ch1 Nmax



9065408	V2V L 1/8-6	1/8	6	6	58.5	27.8	41	14.7	6.4	14	11.4	21	M15x1	14.6	20	17	12	5.5
9066408	V3V L 1/8-6																	
9065409	V2V L 1/4-6	1/4	6	8	61.5	28.8	41	14.7	6.4	18	11.4	21	M15x1	14.6	20	17	14	5.5
9066409	V3V L 1/4-6																	
9065410	V2V L 1/8-8	1/8	8	6	66.2	31.8	46	18.7	9.1	15	13.8	26	M15x1	18.7	24	17	14	5.5
9066410	V3V L 1/8-8																	
9065411	V2V L 1/4-8	1/4	8	8	70.6	34.2	46	18.7	9.1	18	13.8	26	M15x1	18.7	24	17	14	5.5
9066411	V3V L 1/4-8																	
9065412	V2V L 3/8-8	3/8	8	9	72.2	34.8	46	18.7	9.1	22	13.8	26	M15x1	18.7	24	17	17	5.5
9066412	V3V L 3/8-8																	

**V2V/V3V L THREAD-PIPE  
PADLOCKED**

Code Ref. F Ø P A A1 B C D E E1 G H I I1 Ch Ch1 Nmax



9065508	V2V L 1/8-6 KEY	1/8	6	6	58.5	27.8	41	14.7	6.4	14	11.4	21	M15x1	14.6	20	17	12	5.5
9066508	V3V L 1/8-6 KEY																	
9065509	V2V L 1/4-6 KEY	1/4	6	8	61.5	28.8	41	14.7	6.4	18	11.4	21	M15x1	14.6	20	17	14	5.5
9066509	V3V L 1/4-6 KEY																	
9065510	V2V L 1/8-8 KEY	1/8	8	6	66.2	31.8	46	18.7	9.1	15	13.8	26	M15x1	18.7	24	17	14	5.5
9066510	V3V L 1/8-8 KEY																	
9065511	V2V L 1/4-8 KEY	1/4	8	8	70.6	34.2	46	18.7	9.1	18	13.8	26	M15x1	18.7	24	17	14	5.5
9066511	V3V L 1/4-8 KEY																	
9065512	V2V L 3/8-8 KEY	3/8	8	9	72.2	34.8	46	18.7	9.1	22	13.8	26	M15x1	18.7	24	17	17	5.5
9066512	V3V L 3/8-8 KEY																	

**NOTES**