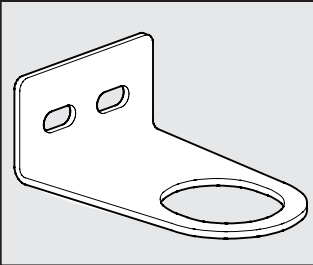


Skillair® ACCESSORIES

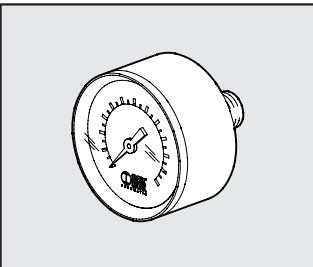
MOUNTING BRACKET FOR REG.



Code Description

- 9200701 SF100- BIT-ND1/4
- 9400701 SF200-ND-3/8 1/2
- 9400702 SF300

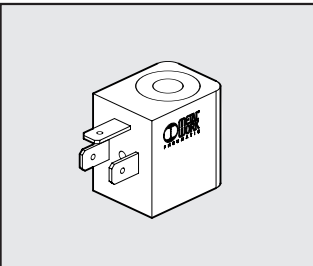
PRESSURE GAUGES



Code Description

- 9700101 ACC. M 40 1/8 12
- 9700102 ACC. M 40 1/8 04
- 9800101 ACC. M 50 1/8 12
- 9800102 ACC. M 50 1/8 04
- 9900101 ACC. M 63 1/4 12

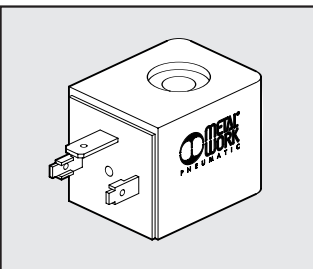
COIL FOR APR and V3V SOLENOID



Code Description

- W0215000101 Coil 22 Ø8
BA 2W-24VDC
- W0215000111 Coil 22 Ø8
BA 3.5VA-24VAC
- W0215000121 Coil 22 Ø8
BA 3.5VA-110VAC
- W0215000131 Coil 22 Ø8
BA 3.5VA-220VAC

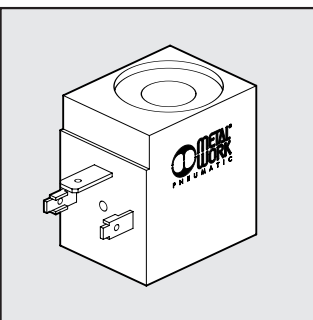
COIL FOR V3V APR WITH CNOMO



Code Description

- W0210010100 COIL 30 D8
4W-24VDC
- W0210011100 COIL 30 D8
4VA-24VAC 50/60 HZ
- W0210012100 COIL 30 D8
4VA-110VAC 50/60 HZ
- W0210013100 COIL 30 D8
4VA-220VAC 50/60 HZ

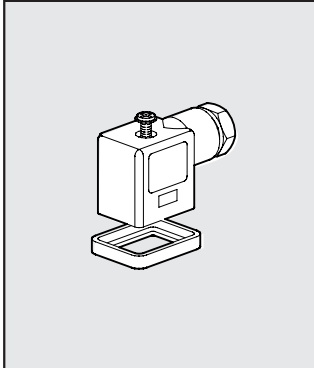
COIL FOR CDV CDML LUBRICATOR



Code Description

- W0216001001 COIL 24 V CC
- W0216001011 COIL 24V 50/60HZ
- W0216001021 COIL 110V 50/60HZ
- W0216001031 COIL 220V 50/60HZ

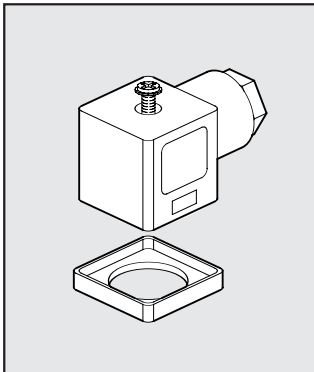
ELECTRIC CONNECTOR FOR V3V-APR ELPN



Code Description

- W0970510011 ACC. CONNECTOR STD
- W0970510012 ACC. CONNECTOR 22 LED 24V
- W0970510013 ACC. CONNECTOR 22 LED 110V
- W0970510014 ACC. CONNECTOR 22 LED 220V
- W0970510015 ACC. CONNECTOR 22 LED VDR 24V
- W0970510016 ACC. CONNECTOR 22 LED VDR 110V
- W0970510017 ACC. CONNECTOR 22 LED VDR 220V

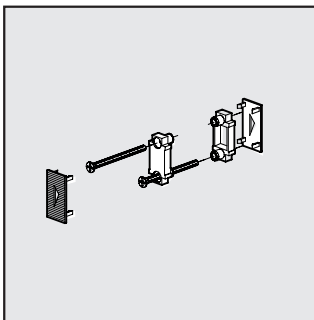
ELECTRIC CONNECTOR FOR V3V APR WITH CNOMO



Code Description

- W0970520033 ACC. CONNECTOR 30 STD
- W0970520034 ACC. CONNECTOR 30 LED 24V
- W0970520035 ACC. CONNECTOR 30 LED 110V
- W0970520036 ACC. CONNECTOR 30 LED 220V
- W0970520037 ACC. CONNECTOR 30 LED VDR 24V
- W0970520038 ACC. CONNECTOR 30 LED VDR 110V
- W0970520039 ACC. CONNECTOR 30 LED VDR 220V

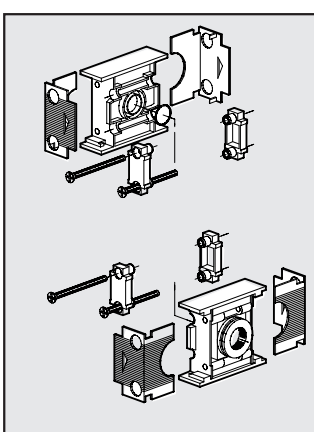
CONNECTOR KIT FOR SKILLAIR CODE A



Code Description

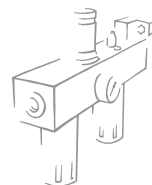
- 9230301 ACC. CONNECTOR KIT 100
- 9330301 ACC. CONNECTOR KIT 200
- 9430301 ACC. CONNECTOR KIT 300
- 9630301 ACC. CONNECTOR KIT 400

INPUT/OUTPUT END PLATE KIT



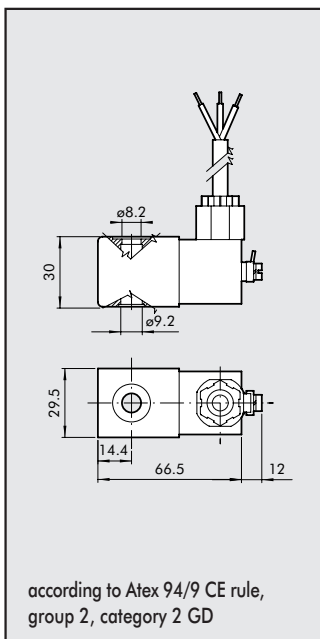
Code Description

- 9230401 ACC. IN/OUT END PLATE KIT 100 1/4
- 9330501 ACC. IN/OUT END PLATE KIT 100 3/8
- 9330601 ACC. IN/OUT END PLATE KIT 200 1/4
- 9330701 ACC. IN/OUT END PLATE KIT 200 3/8
- 9330801 ACC. IN/OUT END PLATE KIT 200 1/2
- 9430701 ACC. IN/OUT END PLATE KIT 300 1/2
- 9530901 ACC. IN/OUT END PLATE KIT 300 3/4
- 9531001 ACC. IN/OUT END PLATE KIT 300 1"
- 9631001 ACC. IN/OUT END PLATE KIT 400 1"
- 9631101 ACC. IN/OUT END PLATE KIT 400 1"1/4"
- 9631201 ACC. IN/OUT END PLATE KIT 1"1/2"
- 9631301 ACC. IN/OUT END PLATE KIT 2"



KIT FOR COIL EEXM FOR V3V-APR-LUB

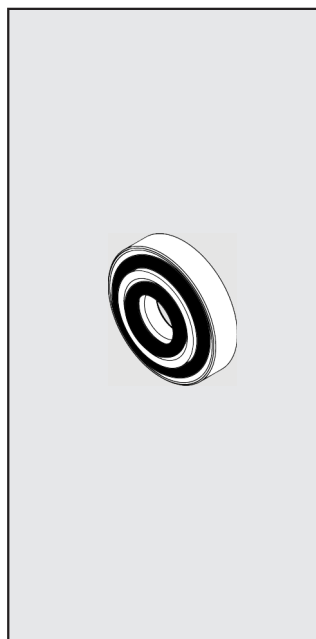
Code Description



- 0227606913 KIT FOR COIL 30
24 VDC EEXMT5
CABLE 3M
- 0227606915 KIT FOR COIL 30
24 VDC EEXMT5
CABLE 5M
- 0227608013 KIT FOR COIL 30
24 VAC EEXMT5
CABLE 3M
- 0227608015 KIT FOR COIL 30
24 VAC EEXMT5
CABLE 5M
- 0227608023 KIT FOR COIL 30
110 VAC EEXMT5
CABLE 3M
- 0227608025 KIT FOR COIL 30
110 VAC EEXMT5
CABLE 5M
- 0227608033 KIT FOR COIL 30
230 VAC EEXMT5
CABLE 3M
- 0227608035 KIT FOR COIL 30
230 VAC EEXMT5
CABLE 5M

KIT COIL SIDE 22 IP65 FOR V3V-APR-LUB

Code Description

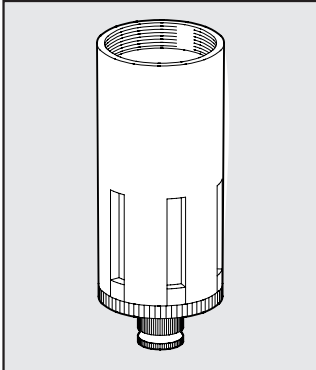


- 0222100100 KIT FOR COILS 22 - IP65
- Improved IP65 protection, even after prolonged exposure to atmospheric agents. Applicable to valves with a technopolymer control.

NOTES

[Blank area for notes]

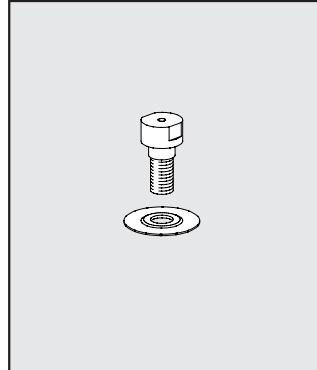
FILTER BOWL



Code Description

- 9253301 SPARES TF 100 RMSA
- 9255301 SPARES TF 100 SAC
- 9353301 SPARES TF 200 RMSA
- 9355301 SPARES TF 200 SAC
- 9453301 SPARES TF 300 RMSA
- 9453401 SPARES TF 300 RA
- 9653301 SPARES TF 400 RMSA
- 9653401 SPARES TF 400 RA

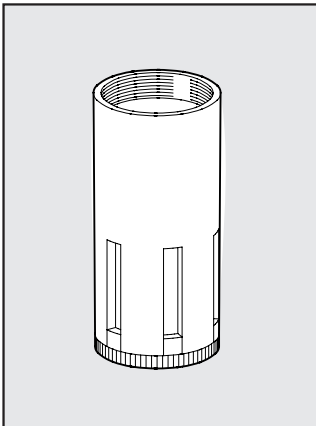
VENTURI LUBRICATOR DIAPHRAGM



Code Description

- 9252001 SPARES MB 100 ND 1/4
- 9352001 SPARES MB 200 N/D 3/8-1/2
- 9452001 SPARES MB 300 1/2 3/4
- 9652601 SPARES MB 400

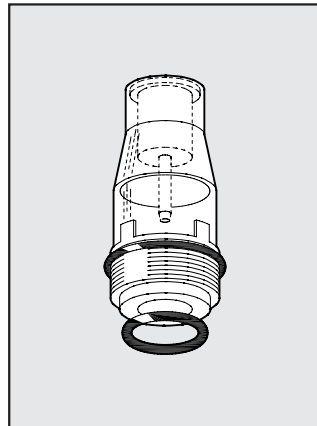
LUBRICATOR BOWL



Code Description

- 9253501 SPARES TL 100
- 9202503 SPARES TL 100 CA
- 9202502 SPARES TL 100 CD
- 9202501 SPARES TL 100 ML
- 9353501 SPARES TL 200
- 9302501 SPARES TL 200 CA
- 9302503 SPARES TL 200 CD
- 9302502 SPARES TL 200 ML
- 9453501 SPARES TL 300
- 9202403 SPARES TL 300 CA
- 9202401 SPARES TL 300 CD
- 9202402 SPARES TL 300 ML
- 9653501 SPARES TL 400
- 9653502 SPARES TL 400 CA
- 9653504 SPARES TL 400 CD
- 9653503 SPARES TL 400 ML

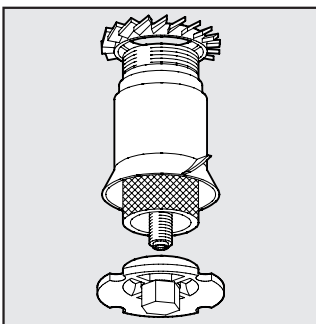
TRANSPARENT LUBRICATOR COVER



Code Description

- 9251302 SPARES CVL
100-200-300-400 BIT

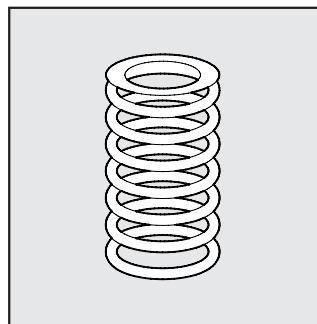
FILTERING ELEMENTS



Code Description

- 9251705 SPARES FP 100 5
- 9251706 SPARES FP 100 20
- 9251707 SPARES FP 100 50
- 9351705 SPARES FP 200 5
- 9351706 SPARES FP 200 20
- 9351707 SPARES FP 200 50
- 9451705 SPARES FP 300 5
- 9451706 SPARES FP 300 20
- 9451707 SPARES FP 300 50
- 9651706 SPARES FP 400 5
- 9651707 SPARES FP 400 20
- 9651705 SPARES FP 400 50

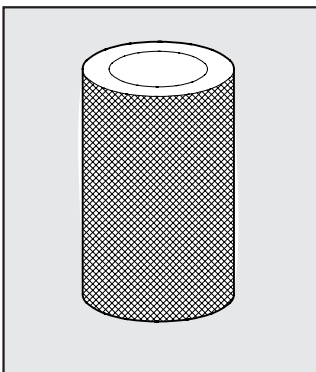
SPRINGS FOR REDUCERS AND FRs



Code Description

- 9250605 RIC.MO 100 02
- 9250606 RIC.MO 100 04
- 9250607 RIC.MO 100 08
- 9250608 RIC.MO 100 012
- 9350605 RIC.MO 200 02
- 9350606 RIC.MO 200 04
- 9350607 RIC.MO 200 08
- 9350608 RIC.MO 200 012
- 9450605 RIC.MO 300 04
- 9450606 RIC.MO 300 08
- 9450607 RIC.MO 300 012
- 9450608 RIC.MO 300 02

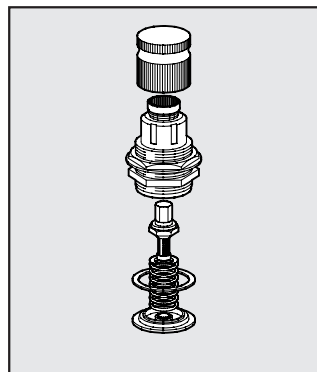
FILTERING/PURIFICATION ELEMENTS



Code Descrizione

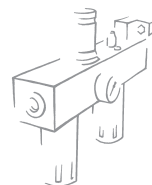
- 9251711 SPARES FP DEP. 100
- 9351711 SPARES FP DEP. 200
- 9451711 SPARES FP DEP. 300
- 9651711 SPARES FP DEP. 400

UPPER COVER FOR REGULATOR AND FR



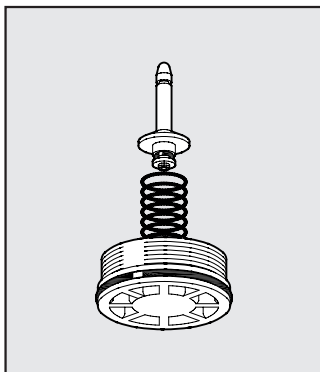
Code Description

- 9250800 RIC.CS 100 02
- 9250810 RIC.CS 100 04
- 9250811 RIC.CS 100 08
- 9250812 RIC.CS 100 012
- 9350800 RIC.CS 200 02
- 9350810 RIC.CS 200 04
- 9350811 RIC.CS 200 08
- 9350812 RIC.CS 200 012
- 9450805 RIC.CS 300 04
- 9450806 RIC.CS 300 08
- 9450807 RIC.CS 300 012
- 9450808 RIC.CS 300 02



COMPLETE POPPET FOR REGULATORS

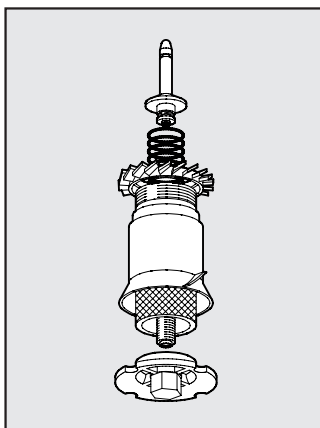
Code Description



- 9250704 SPARES OTR 100
- 9350704 SPARES OTR 200
- 9450704 SPARES OTR 300
- 9650704 SPARES OTR 400

COMPLETE POPPET FOR FR

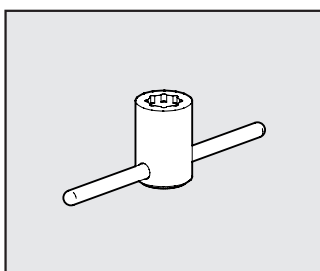
Code Description



- 9250902 SPARES OTFR 100 5
- 9250903 SPARES OTFR 100 20
- 9250904 SPARES OTFR 100 50
- 9350902 SPARES OTFR 200 5
- 9350903 SPARES OTFR 200 20
- 9350904 SPARES OTFR 200 50
- 9450902 SPARES OTFR 300 5
- 9450903 SPARES OTFR 300 20
- 9450904 SPARES OTFR 300 50

UPPER COVER DISASSEMBLY SPANNER

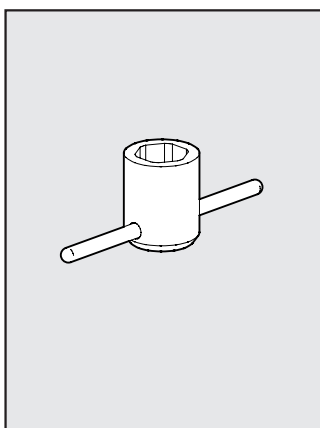
Code Description



- 9220701 SPARES COVER SPANNER

REG and FR VISUAL DOME DISASSEMBLY SPANNER

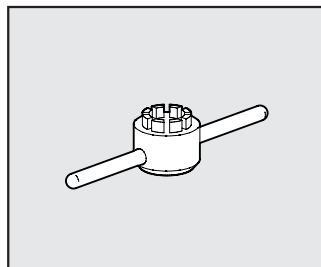
Code Description



- 9220401 SPARES DOME DIS. SPANNER 100
- 9323401 SPARES DOME DIS. SPANNER 200
- 9420401 SPARES DOME DIS. SPANNER 300

POPPET DISASSEMBLY SPANNER (FOR REG.)

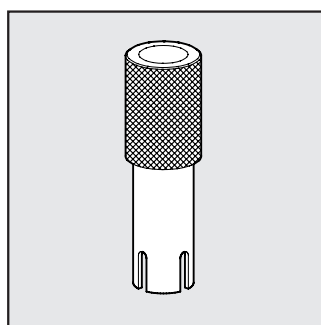
Code Description



- 9220501 SPARES R CAP DISASS. WR. 100
- 9323501 SPARES R CAP DISASS. WR. 200
- 9420501 SPARES R CAP DISASS. WR. 300

POPPET DISASSEMBLY SPANNER (FOR FR)

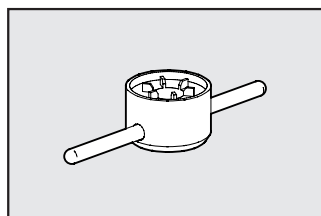
Code Description



- 9220801 SPARES FR CAP DISASS. WR. 100
- 9320801 SPARES FR CAP DISASS. WR. 200
- 9420801 SPARES FR CAP DISASS. WR. 300

CAP DISASSEMBLY SPANNER

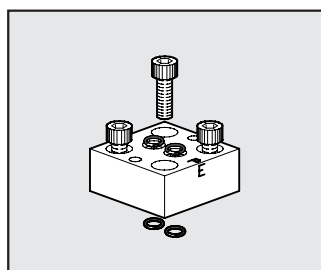
Code Description



- 9220601 SPARES CAP DISASS. 100
- 9323601 SPARES CAP DISASS. 200
- 9420601 SPARES CAP DISASS. 300

PROVISION FOR SOLENOID CONTROL TO CNOMO FOR APR-300 AND V3V 300

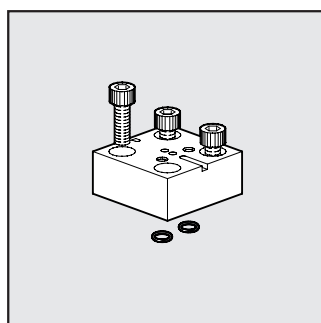
Code Description



- 9454001 SPARES PCE TO CNOMO

PROVISION FOR MICRO SOLENOID CONTROL FOR APR-300 and V3V 300

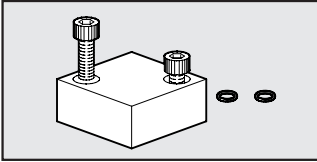
Code Description



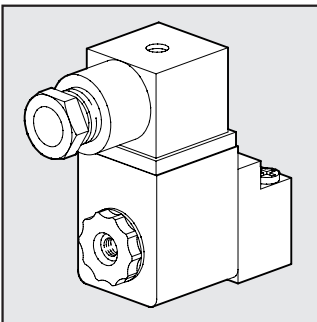
- 9453601 SPARES PCE MICRO

PROVISION FOR PNEUMATIC CONTROL FOR APR-300 and V3V 300

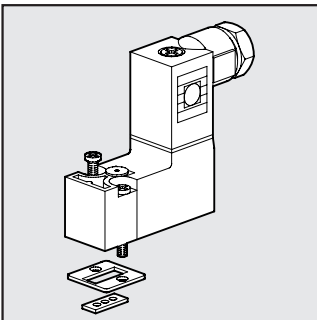
Code	Description
9453701	SPARES PCP PNEUMATIC


CNOMO SOLENOID CONTROL FOR APR-300 and V3V 300

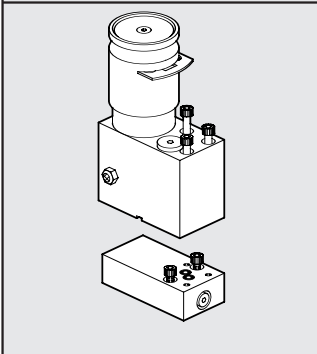
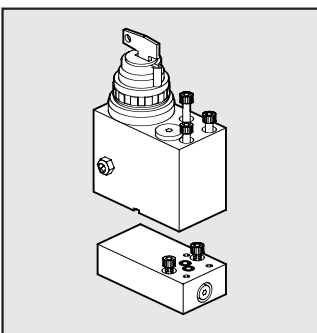
Code	Description
9453901	SPARES CEC CNOMO 24CC
9453902	SPARES CEC CNOMO 24V
9453903	SPARES CEC CNOMO 110V
9453904	SPARES CEC CNOMO 220V


MICRO SOLENOID CONTROL FOR APR-300 and V3V 300

Code	Description
9453801	SPARES CEM MICRO 24CC
9453802	SPARES CEM MICRO 24V
9453803	SPARES CEM MICRO 110V
9453804	SPARES CEM MICRO 220V


V3V CONTROL 400

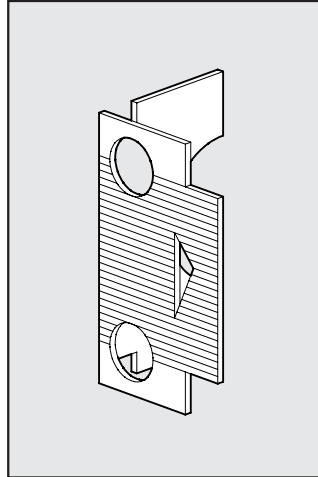
Code	Description
9455401	SPARES KIT C.C. 400



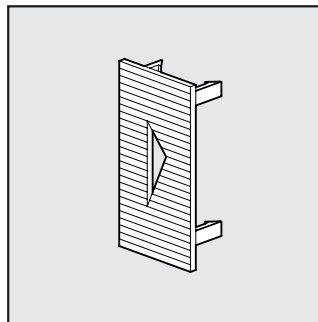
Code	Description
9455601	SPARES KIT LOCKABLE 400

INPUT/OUTPUT COVER PLATE

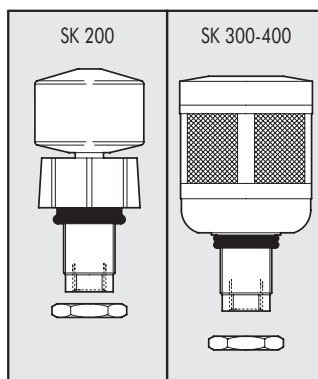
Code	Description
9152103	SPARES OUTPUT COVER PLATE 100
9152105	SPARES INPUT COVER PLATE 100
9152115	SPARES OUTPUT COVER PLATE 200
9152116	SPARES INPUT COVER PLATE 200
9152104	SPARES OUTPUT COVER PLATE 300
9152106	SPARES INPUT COVER PLATE 300
9152118	SPARES OUTPUT COVER PLATE 400
9152119	SPARES INPUT COVER PLATE 400


INTERMEDIATE COVER PLATE

Code	Description
9152107	SPARES INTERMEDIATE COVER PLATE 100
9152114	SPARES INTERMEDIATE COVER PLATE 200
9152108	SPARES INTERMEDIATE COVER PLATE 300
9152117	SPARES INTERMEDIATE COVER PLATE 400


AUTODRAIN (RA)

Code	Description
9000802	RIC. RA 300-400
9000805	RIC. RA 200-ONE


AUTODRAIN TAP (SAC)

Code	Description
9000803	RIC. SAC 100-200

