

# Newdeal PADLOCKABLE REGULATOR

Highly reliable, heavy-duty piston-operated regulator.

- Stability of the set pressure as the upstream pressure varies
- Standard overpressure blowoff valve
- Can be fixed to the wall using the holes in the sides of the body.

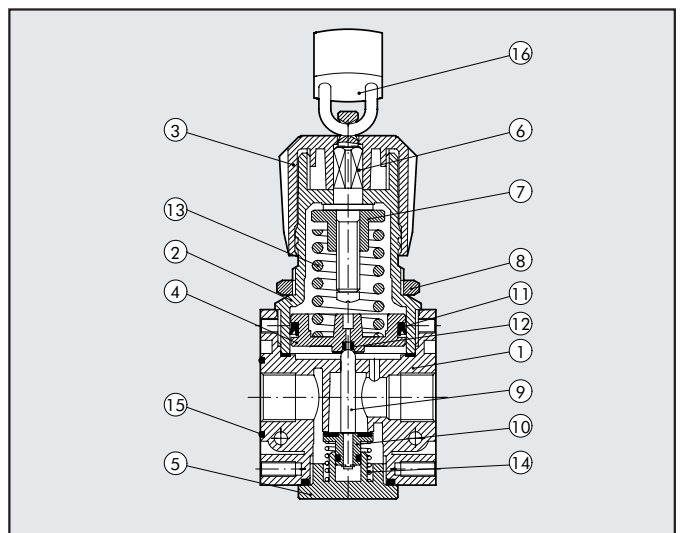
The New Deal padlockable regulator has a pin with a hole in it that projects from the top of the knob. When the knob is in the push-lock position, the padlock can be inserted in the hole, preventing the knob from being operated. A padlock and two keys are supplied with the regulator.



TECHNICAL DATA	REG. KEY ND 1/4"	REG. KEY ND 3/8"	REG. KEY ND 1/2"
Threaded port	1/4"	3/8"	1/2"
Setting range	0 ÷ 2 - 0 ÷ 4 - 0 ÷ 8 - 0 ÷ 12		
Max. inlet pressure	1.8		
	bar		
	18		
	psi		
Flow rate at 6.3 bar (0.63 MPa-91 psi)	200	1100	
ΔP 0.5 bar (0.05 MPa - 7 psi)	7	39	
Flow rate at 6.3 bar (0.63 MPa-91 psi)	650	2500	
ΔP 1 bar (0.1 MPa - 14 psi)	23	89	
Fluid	Filtered, lubricated or unlubricated compressed air. Lubrication, if used, must be continuous		
Max temperature at 1 MPa; 10 bar; 145 psi	50°		
	°C		
	122°		
	°F		
Weight	0.3	0.8	
	Kg		
Wall fixing screws	M4x40	M4x55	
Mounting	In any position		
Gauge port	G 1/8"	G 1/8"	G 1/8"
Notes:	The regulator pressure must always be set upwards. For increased sensitivity, use a pressure regulator with a rated pressure as close as possible to the required value. Do not take off air from gauge ports.		

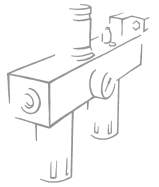
## COMPONENTS

- ① Zamak body
- ② Technopolymer bell
- ③ Technopolymer knob
- ④ Technopolymer piston rod
- ⑤ Technopolymer plug
- ⑥ Nickel-plated brass OT58 adjusting screw
- ⑦ OT58 brass nut
- ⑧ Technopolymer ring nut
- ⑨ OT brass rod
- ⑩ Valve with NBR vulcanized gasket
- ⑪ NBR lip seal
- ⑫ NBR relieving seal
- ⑬ Steel adjusting spring
- ⑭ Steel valve compression spring
- ⑮ NBR gaskets
- ⑯ Padlock



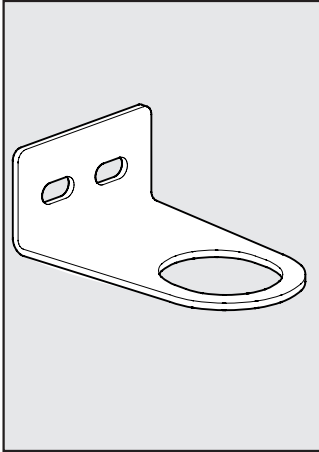






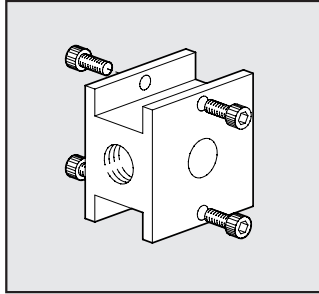
# Newdeal ACCESSORIES

## MOUNTING BRACKET FOR REG. Code Description



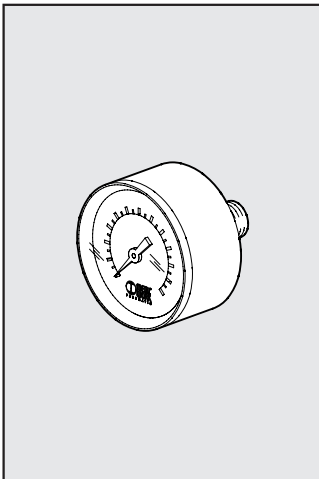
- 9200701 ACC.SF 1/4
- 9400701 ACC.SF 1/2

## REGULATOR CONNECTION BLOCK Code Description Weight [g]



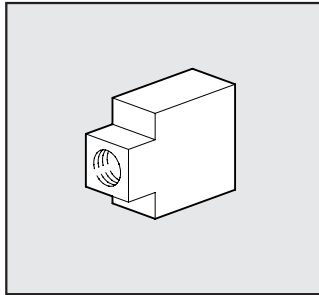
- 9200501 ACC.BC 90  
1/4 BLOCK
- 9400501 ACC.BC 244  
1/2 BLOCK

## PRESSURE GAUGE Code Description



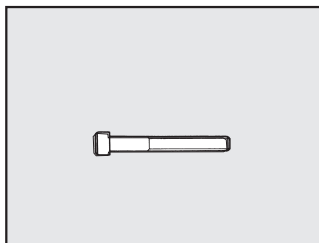
- 9700102 ACC.M 40 1/8 04
- 9700101 ACC.M 40 1/8 12
- 9800102 ACC.M 50 1/8 04
- 9800101 ACC.M 50 1/8 12

## SPACERS FOR FRL WALL MOUNTING Code Description



- 9200601 ACC.DF 1/4 SPACER
- 9400601 ACC.DF 1/2 SPACER

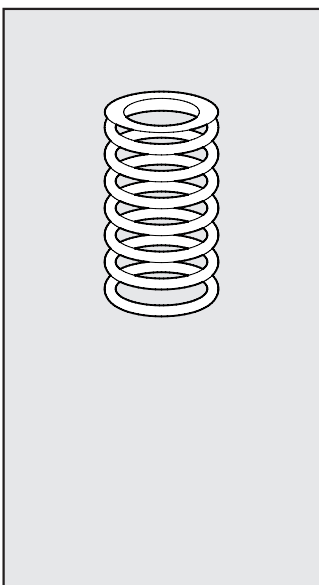
## ASSEMBLY SCREWS (2 PIECES) Code Description



- 9250001 ACC.CVA 1/4 SCREW M4x40
- 9250002 ACC.CVA 1/4 SCREW M4x82  
V3V+F+R
- 9450001 ACC.CVA 1/2 SCREW M5x55
- 9450002 ACC.CVA 3/8 1/2 SCREW  
M5x60 V3V+R
- 9450003 ACC.CVA 3/8 1/2 SCREW  
M5x120 V3V+F+R

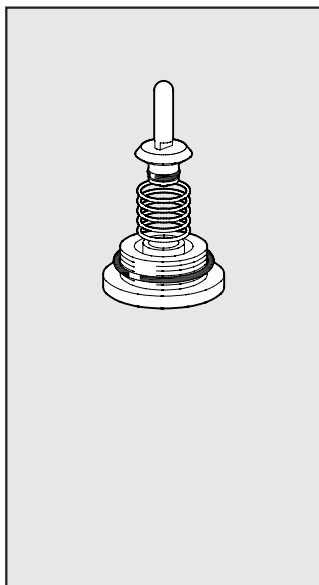
# Newdeal SPARE PARTS

## SPRINGS FOR REGULATORS Code Description



- 9250601 SPARES MO 02 1/4
- 9250602 SPARES MO 04 1/4
- 9250603 SPARES MO 08 1/4
- 9250604 SPARES MO 12 1/4
- 9450601 SPARES MO 04 1/2
- 9450602 SPARES MO 08 1/2
- 9450603 SPARES MO 12 1/2

## COMPLETE POPPER FOR REGULATORS Code Description



- 9250701 SPARES OTR 1/4
- 9450701 SPARES OTR 1/2