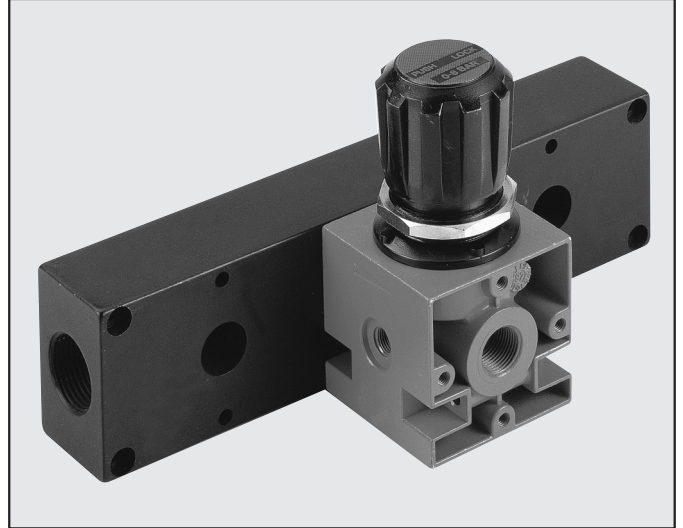
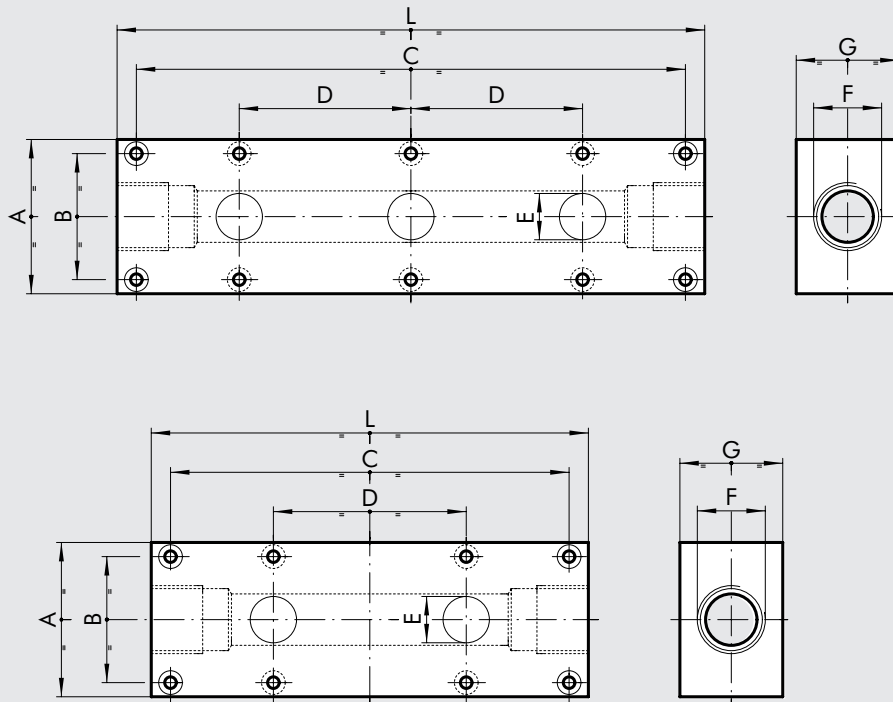


# Newdeal SUB-BASE

With the Newdeal sub-base, more than one regulators can be mounted in parallel using a single pressure supply source.



## DIMENSIONS



	ND 1/4		ND 3/8-1/2		ND 3/4-1	
	2 positions	3 positions	2 positions	3 positions	2 positions	3 positions
A	50	50	60	60	80	80
B	34	34	49	49	64	64
C	113	165	155	230	190	280
D	52	52	75	75	90	90
E	G 1/4	G 1/4	18	18	31	31
F	G 1/2	G 1/2	G 3/4	G 3/4	G 1" 1/4	G 1" 1/4
G	30	30	40	40	50	50
L	128	180	170	245	210	300
Weight (kg)	0.4	0.6	0.9	1.4	1.5	1.7

## ORDERING CODES

Code	Description
9200201	ACC.SB 1/4 SUB-BASE 2 POS.
9400201	ACC.SB 1/2 SUB-BASE 2 POS
9600201	ACC.SB 3/4 SUB-BASE 2 POS
9200301	ACC.SB 1/4 SUB-BASE 3 POS
9400301	ACC.SB 1/2 SUB-BASE 3 POS
9600301	ACC.SB 3/4 SUB-BASE 3 POS