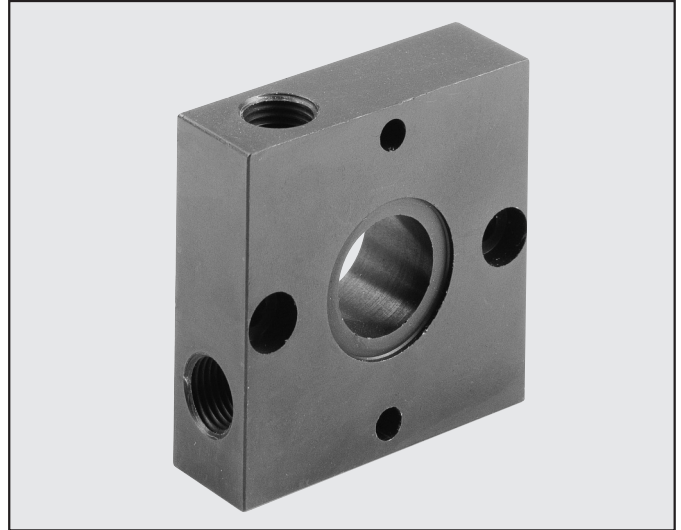


# Newdeal AIR TAKE-OFF

The air take-off has the job to take off the air from the Newdeal FRL unit irrespective of the position where it is assembled.

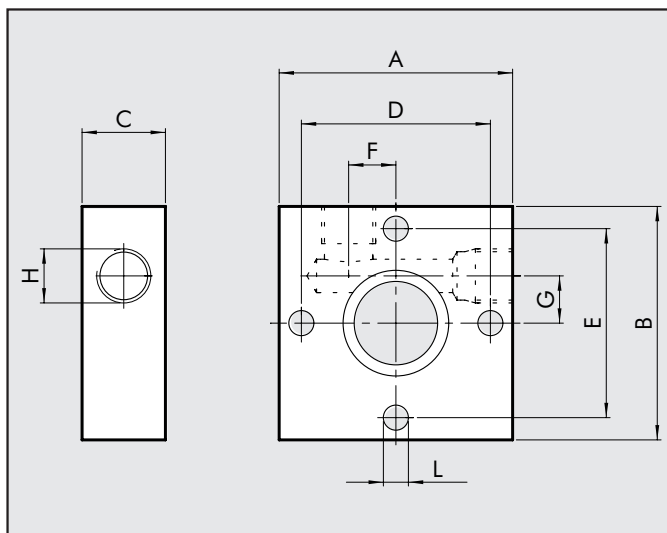
It is required whenever you need to take off air from the FRL unit at different stages of the treatment (normal, filtered, filtered regulated, lubricated, etc.)



TECHNICAL DATA		PA ND 1/4	PA ND 3/8"-1/2"	PA ND 3/4"-1"
Threaded port		G 1/8"	G 1/4"	G 1/2"
Maximum working temperature	°C	50	50	50
at 1 Mpa; 10 bar; 145 psi	°F	122	122	122
Maximum admissible pressure	MPa	1.8	1.8	1.8
	bar	18	18	18
	psi	261	261	261
Weight	[kg]	0.068	0.181	0.413

3

DIMENSIONS		G 1/4	G 3/8-1/2	G 3/4-1"
A		42	60	80
B		42	60	80
C		15	20	30
D		34	49	64
E		34	49	64
F		8.5	14	16
G		8.5	14	16
H (n° 2 pos.)		G 1/8	G 1/4	G 1/2
L		M4 hole	M5 hole	M6 hole



## ORDERING CODES

Code	Description
9200401	ACC.PA 1/4 TAKE-OFF
9400401	ACC.PA 1/2 TAKE-OFF
9600401	ACC.PA 3/4 TAKE-OFF