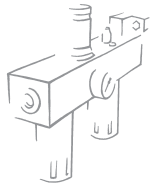


# Newdeal CIRCUIT SHUT-OFF VALVE



Manually-operated circuit shut-off valve.

- Poppet seat system to ensure high flow rate
- Quick-actuation knob
- Possible triple locking
- The valve is actuated by pressing the actuation disk until it clicks. Press the knob downwards to relieve pressure. In this position you can extract the shim and fit a lock to avoid accidental operation.

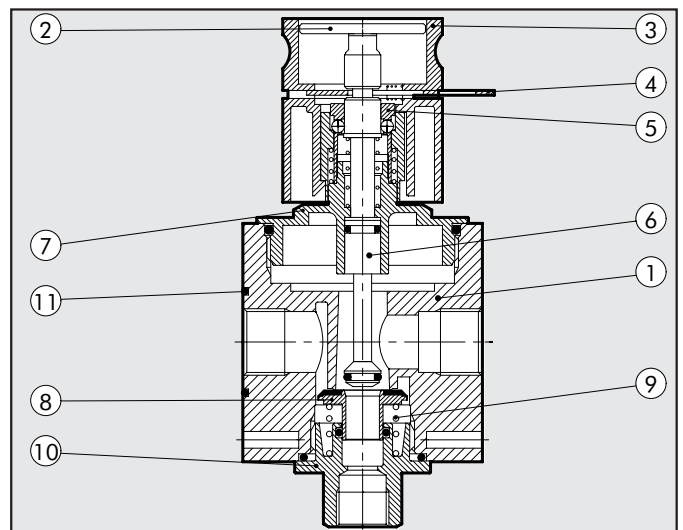


TECHNICAL DATA		V3V ND 1/4"	V3V ND 3/8"-1/2"
Threaded port		1/4"	3/8" - 1/2"
Max. inlet pressure	MPa		1.8
	bar		18
	psi		261
Flow rate at 6.3 bar (0.63 MPa-91 psi)	NI/min	1100	2200
ΔP 0.5 bar (0.05 MPa – 7 psi)	scfm	38.8	78
Flow rate at 6.3 bar (0.63 MPa-91 psi)	NI/min	1500	2900
ΔP 1 bar (0.1 MPa – 14 psi)	scfm	53	103
Flow rate on relieving at 6 bar (0.6 MPa – 87 psi)		1600	2900
with direct relieving into the atmosphere		56.5	103
Fluid		Filtered, lubricated or unlubricated compressed air. Lubrication, if used, must be continuous	
Max temperature at 1 MPa; 10 bar; 145 psi	°C	50	50
	°F	122	122
Weight	Kg	0.35	0.8
Wall fixing screws		M4x40	M4x55
Mounting		In any position	
Type of control		Manual	

3

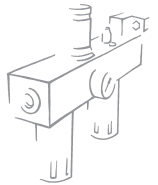
## COMPONENTS

- ① Zamak body
- ② Actuation disk
- ③ Technopolymer knob
- ④ Stainless steel safety shim
- ⑤ Clutching unit
- ⑥ OT brass rod
- ⑦ Upper OT 58 brass plug
- ⑧ V3V valve with NBR vulcanized gasket
- ⑨ Stainless steel valve compression spring
- ⑩ Lower OT58 brass plug
- ⑪ NBR gaskets





# V3V – 3/4" and 1" CIRCUIT SHUT-OFF VALVE Newdeal



Circuit cut-off valve with three different controls:

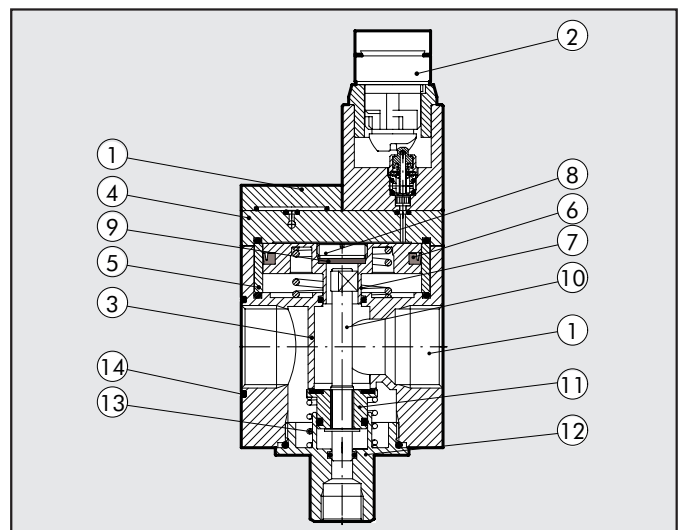
- CNOMO electropneumatic
- Manual key-operated
- Manual lever-operated



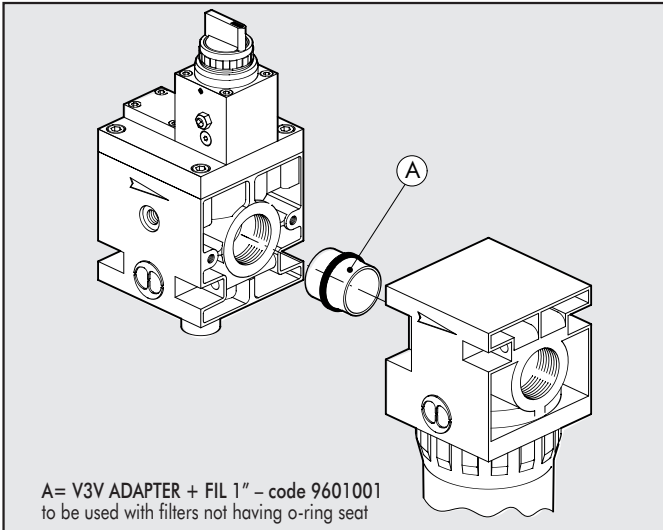
TECHNICAL DATA	V3V ND 3/4	V3V ND 1
Threaded port	3/4"	1"
Max. inlet pressure*		1.3
		13
		188
Flow rate at 6.3 bar (0.63 MPa ÷ 91 psi)		7600
ΔP 0.5 bar (0.05 MPa ÷ 7 psi)		268
Flow rate at 6.3 bar (0.63 MPa ÷ 91 psi)		10200
ΔP 1 bar (0.1 MPa ÷ 14 psi)		360
Flow rate on relief at 6 bar (0.6 MPa; 87 psi)		1800
		64
Fluid	Filtered, lubricated or unlubricated compressed air. Lubrication, if used, must be continuous	
Weight		2.2
Wall fixing screws		M6x75
Mounting	In any position	
* VERSION V3V CNOMO (1 MPa - 145 psi)		

## COMPONENTS

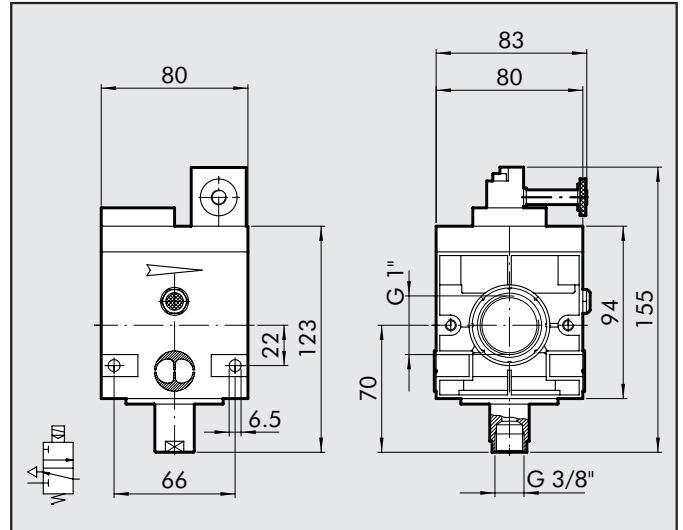
- ① V3V plate
- ② V3V manual sub-assembly control
- ③ V3V aluminium body
- ④ Aluminium top plate
- ⑤ Aluminium spacer
- ⑥ NBR lip seal
- ⑦ Aluminium Ø 63 piston rod
- ⑧ Cap for OT 58 brass plain gasket
- ⑨ NBR plain gasket
- ⑩ OT 58 brass rod
- ⑪ OT 58 brass valve
- ⑫ Aluminium bottom cap
- ⑬ Steel valve spring
- ⑭ NBR gaskets



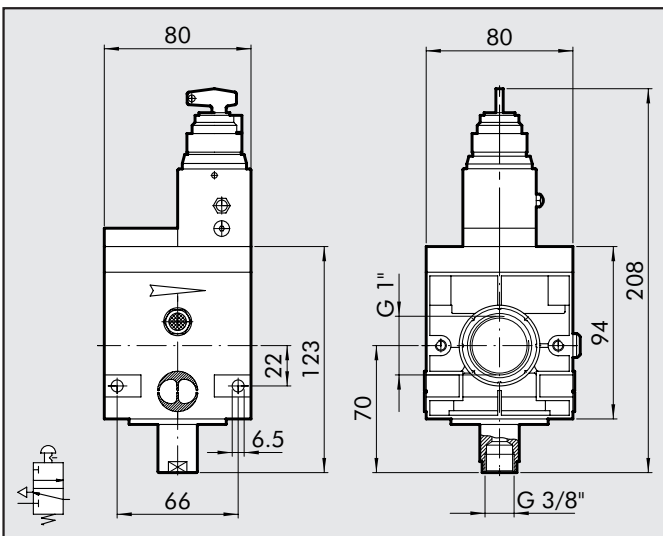
### ASSEMBLY DIAGRAM V3V+F



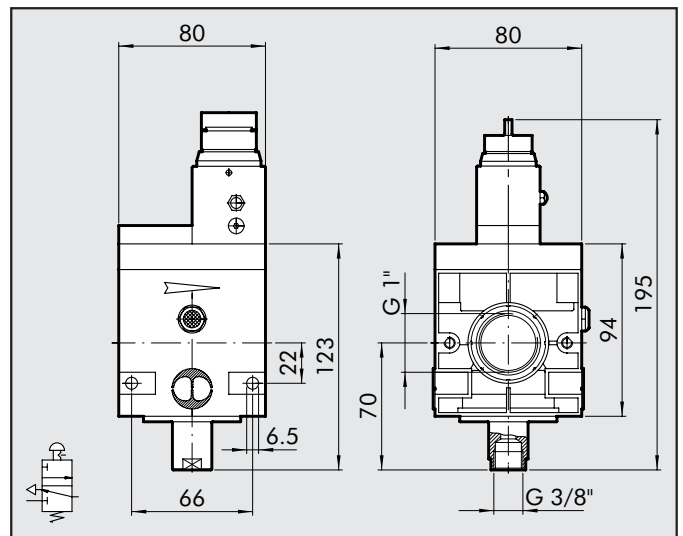
### DIMENSIONS OF V3V 3/4" and 1" ELPN CNOMO



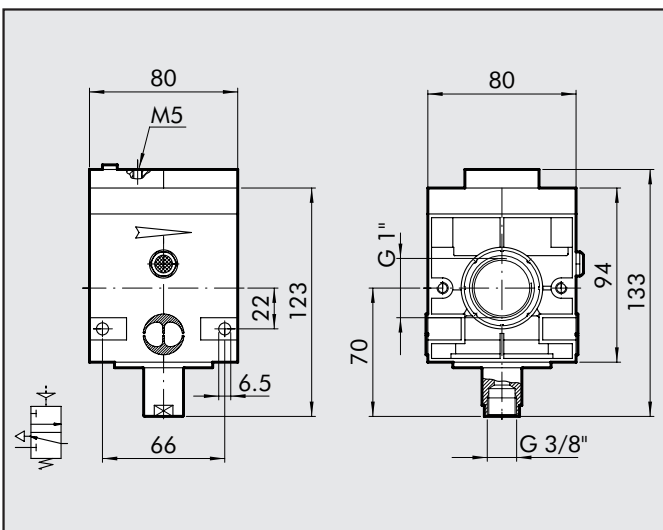
### DIMENSIONS OF V3V 3/4" and 1" KEY-OPERATED CONTROL



### DIMENSIONS OF V3V 3/4" and 1" - MANUAL CONTROL



### DIMENSIONS OF V3V 3/4" and 1" PNEUMATIC



### KEY TO CODES

ELEMENT	1	ELPN CONTROL V3V
RV3V	THREADED PORT	
V3V	1"	ELPN KEY MANUAL PNEUMATIC
	3/4"	

### ORDERING CODES

Code	Description
1575001	V3V 3/4 ELPN CNOMO
1574101	V3V 3/4 KEY
1574001	V3V 3/4 MANUAL
1576001	V3V 3/4 PNEUMATIC
1675001	V3V 1 ELPN CNOMO
1674101	V3V 1 KEY
1674001	V3V 1 MANUAL
1676001	V3V 1 PNEUMATIC