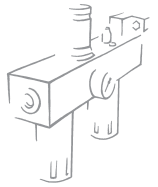


NEWTRONIC New deal ELECTRONIC CONTROL REGULATOR



The Newtronic is an electronically-controlled pressure regulator equipped with an 8-bit microcontroller. The control signal can be analogic, digital via RS232 or digital from the keyboard. It is converted into a proportional pressure signal by means of high-rate solenoid valves. The regulator can be used alone within the indicated flow values, or in combination with a New deal 1"-3/4" pilot-assisted pressure regulator (power stage).

The advantages are:

- Integration with analogic or digital control systems (PC, PLC, etc.)
- Extremely fast response times
- Excellent repeatability and reliability
- Low power absorption

Skilltronic comes in two basic versions:

- Version A, with analogic control via the mains or RS232 serial line.
- Version D, with control via RS232 serial line or keyboard with display of the set and regulated pressures.

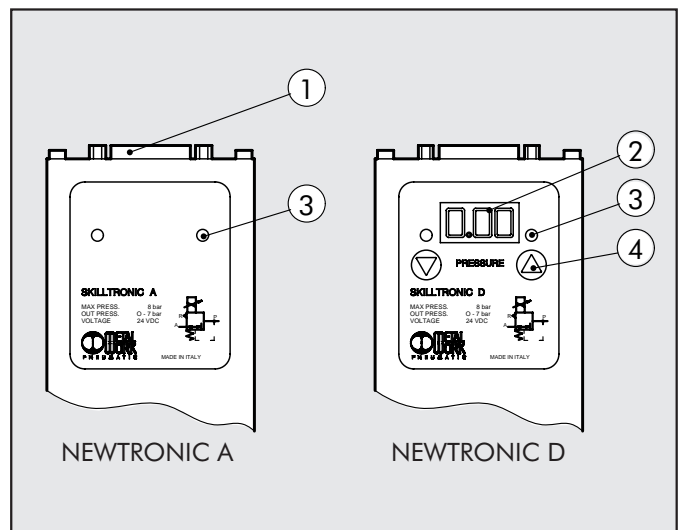


TECHNICAL DATA		NEWTRONIC A e D 3/4"-1"	
Setting range	MPa	0.03 ÷ 0.7	
	bar	0.3 ÷ 7	
	psi	4 ÷ 100	
Control pressure	MPa	0.1 ÷ 0.8	
	bar	1 ÷ 8	
	psi	15 ÷ 115	
Temperature range	°C	-10°C ÷ +50°C	
	°F	14°F ÷ 122°F	
Degree of protection		IP65	
Weight	Kg	2.5	
Fluid		20 µm filtered air, de-humidified and unlubricated.	
Supply voltage	V	24VDC	
Max. absorbed power	W	2	
Control		0 ÷ 5V / 0 ÷ 10 V / RS 232	
Flow rate at 6.3 bar (0.63 MPa, 91 psi)	NI/min	12000	
ΔP 0.5 bar (0.05 MPa, 7 psi)	scfm	426	

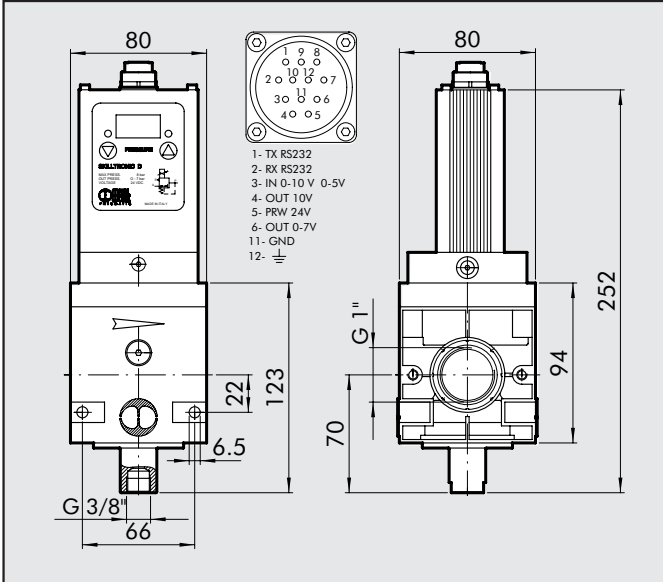
3

COMPONENTS

- ① Connection for power supply and serial line
- ② 3-digit digital display
- ③ Led
- ④ Keys for equipment configuration and pressure setting.



DIMENSIONS

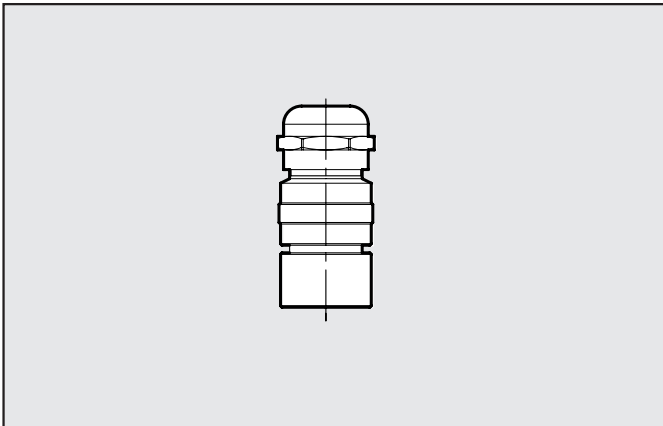


ORDERING CODES

Code	Description
1520001	NEWTRONIC 3/4 A
1520002	NEWTRONIC 3/4 D
1620001	NEWTRONIC 1 A
1620002	NEWTRONIC 1 D

ACCESSORIES

CONNECTOR IP65



Code	Description
W0214100200	IP60 90°-angle technopolymer connector, not shielded
W0214100000	IP60 straight metal connector, shielded

The above items are available in the pre-wired version on request.

NOTES