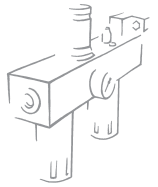


New deal REGULATOR- REGULATOR WITH V3V 3/4" and 1"



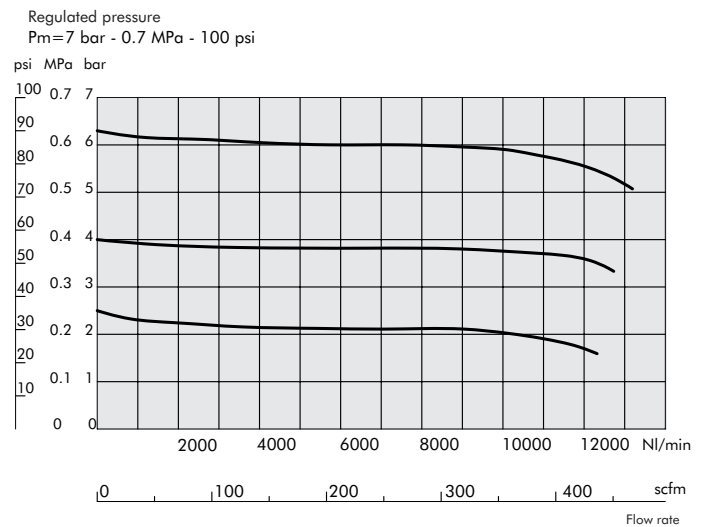
Piloted regulator with integrated function, manual, electropneumatic or pneumatic stop valve as required. It performs two functions in the space usually occupied by a single module, which ensures a high flow rate at all P values including low ones. Extremely quick responses in both discharge and feed. The integrated pilot regulator is available with controlled leak.



TECHNICAL DATA		3/4"	1"
Threaded port	G	3/4"	1"
Setting range	bar	0 ÷ 2 - 0 ÷ 4 - 0 ÷ 8 - 0 ÷ 12	
*Max. inlet pressure	MPa	1.3	
	bar	13	
Flow rate at 6.3 bar (0.63 MPa-91 psi)	NI/min	12000	
	scfm	423	
Flow rate at 6.3 bar (0.63 MPa-91 psi)	NI/min	13000	
	scfm	460	
Fluid		Lubricated or unlubricated filtered air. If lubrication is used, it must be continuous.	
Drain flow rate at 6 bar (0.6 MPa ÷ 87psi)	NI/min	1800	
	scfm	64	
Temperature range (1 MPa ÷ 145psi)	°C	-10° ÷ +50°C	
	°F	14°F ÷ 122°F	
Weight	Kg	1.7	
Wall fixing screws		M6x75	
Position of montage		In any position	

*Version Reg+V3V Cnomo (1 Mpa - 10bar - 145psi)
Version Reg with solenoid (0.8 Mpa - 8 bar - 116 psi)

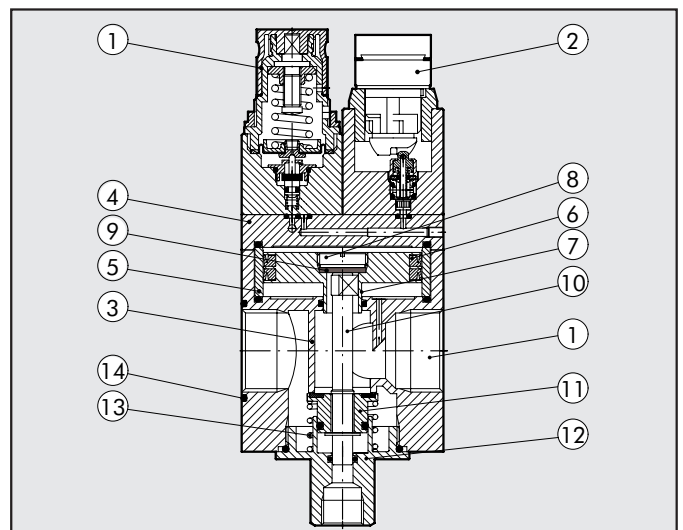
FLOW CHARTS



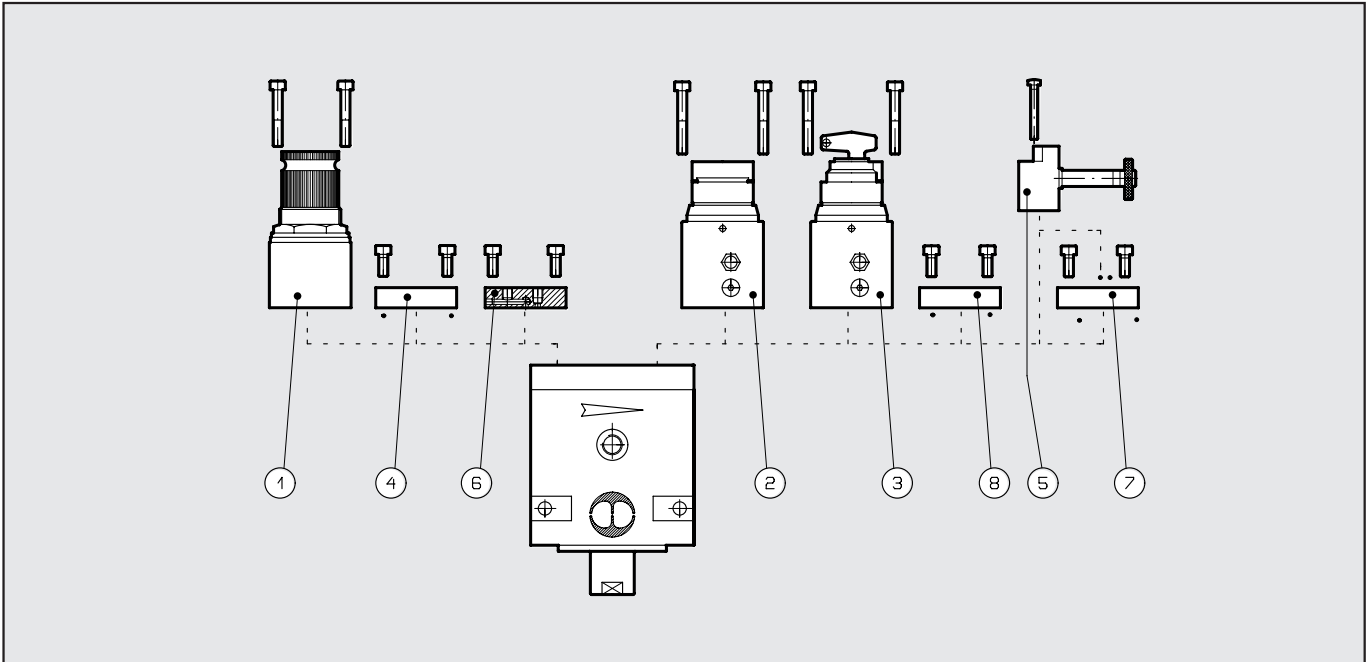
3

COMPONENTS

- ① Pilot Reg. sub-assembly
- ② Manual V3V control sub-assembly
- ③ Aluminium regulator body
- ④ Aluminium upper plate
- ⑤ Aluminium spacer
- ⑥ NBR lip seal
- ⑦ Aluminium Ø 63 piston rod
- ⑧ Cap for OT 58 brass plain gasket
- ⑨ NBR plain gasket
- ⑩ OT 58 brass rod
- ⑪ OT 58 brass valve
- ⑫ Aluminium lower cap
- ⑬ Steel valve spring
- ⑭ NBR gaskets



ASSEMBLY OPTIONS



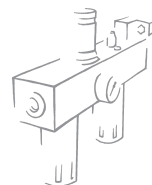
This modular system makes it possible to make the following combinations:

- A) Regulator with pilot regulator ① or remote control ⑥, the end plate is mounted on the right-hand side ⑧.
- B) V3V with manual lever-operated control ② or key control ③ or solenoid CNOMO ⑤, the end plate is mounted on the left-hand side ④.
- C) Regulator + V3V is the result of the free combination of the versions specified above.

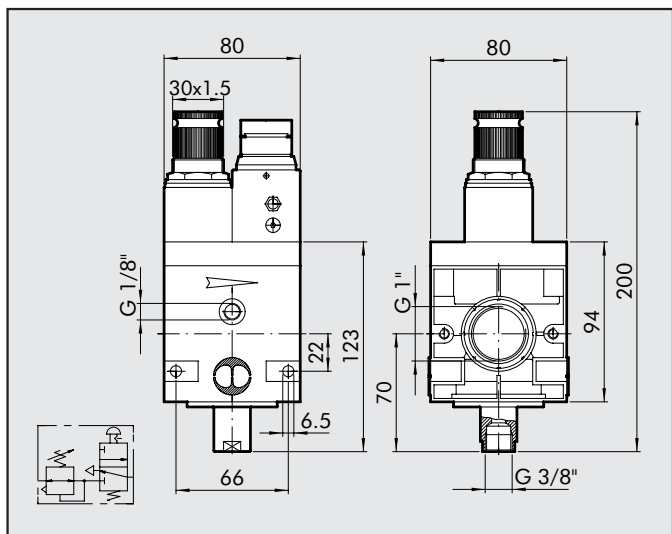
TECHNICAL DATA

Code	Description
① 9640501-02-03-04	Pilot regulator kit
② 9640401	V3V manual lever-operated control kit
③ 9640301	V3V manual key-operated control kit
④ 9640101	End plate kit for V3V
⑤ 9453922	V3V ELPN CNOMO bistable control kit
⑤ 9453920	V3V ELPN CNOMO monostable control kit
⑥ 9640001	Remote control plate kit
⑦ 9640201	Plate kit to mount Cnomo rotated by 180°
⑧ 9640101	End plate kit for piloted regulator

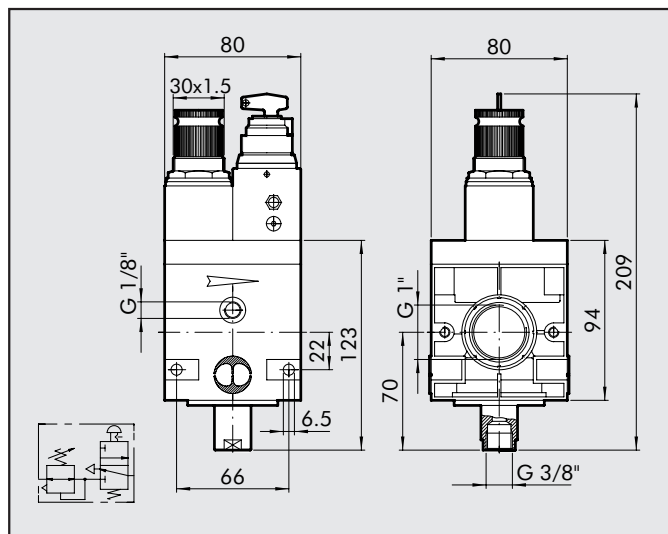
NOTES



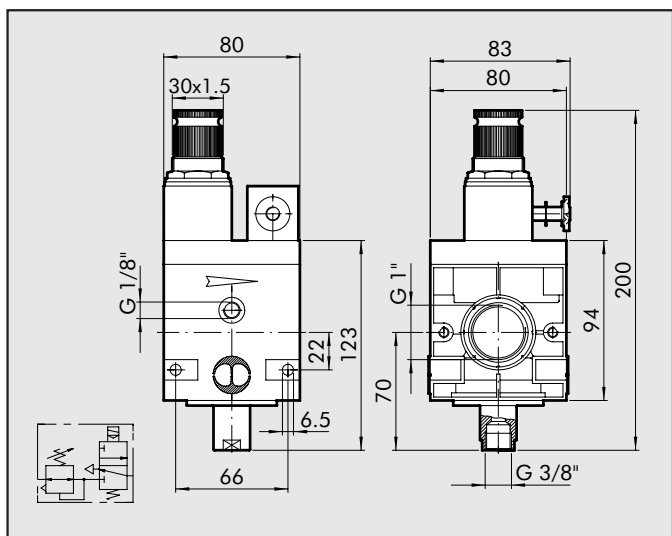
REG P + V3V MANUAL



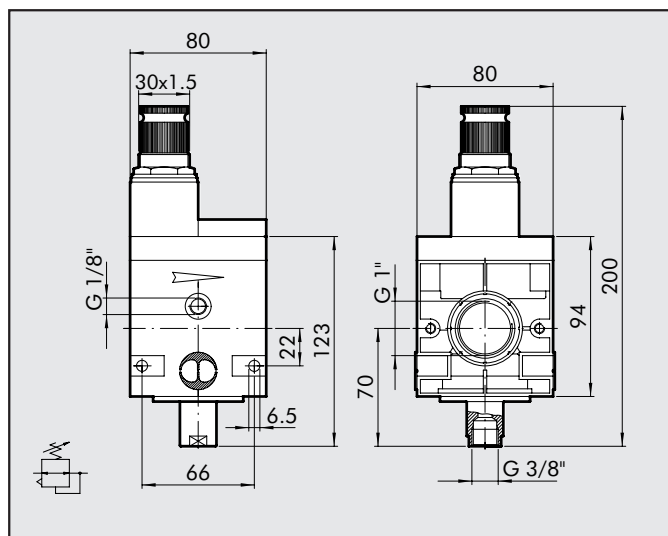
REG P + V3V KEY



REG P + V3V ELPN CNOMO



REG P



REG P 00

