

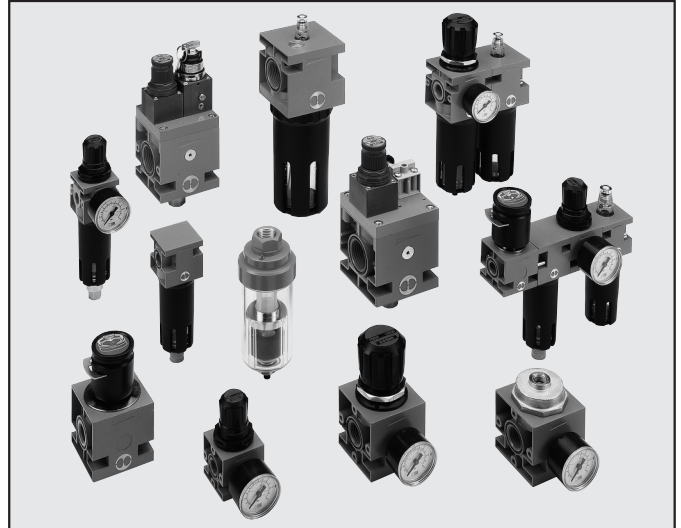
# Newdeal

Newdeal is the forerunner of all air treatment units by Metal Work.

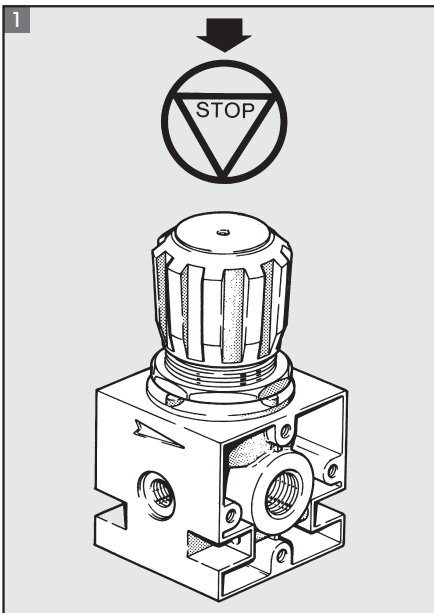
The entire range is top quality, heavy-duty and reliable. These units are designed for use at high pressures\* and in applications where the temperature and quality of the ambient area are critical.

\*For further details, refer to the Specification for the item in question.

**N.B.: Compatibility with oils: please refer to page 6.1/08**

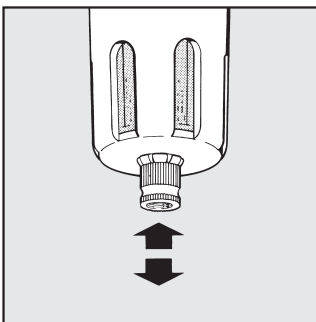
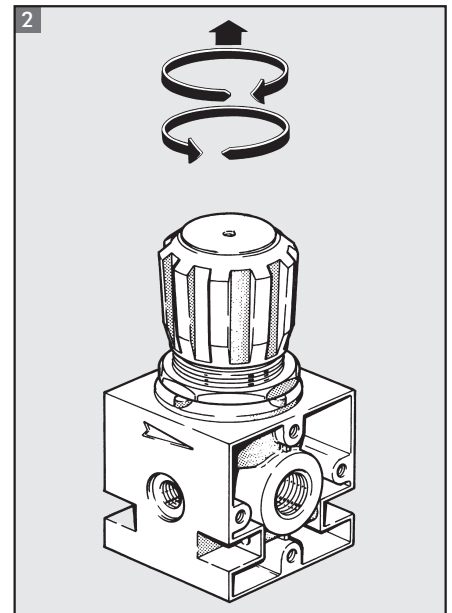


## GENERAL RULES - USE AND MAINTENANCE

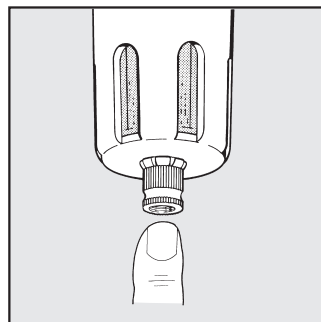


**1** The knob can be locked so that the set pressure cannot be altered.

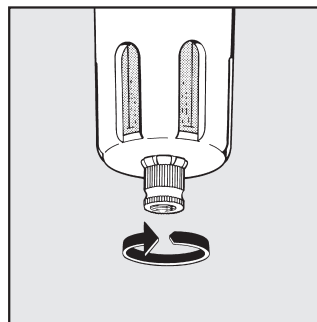
**2** The air pressure must always be set upwards.



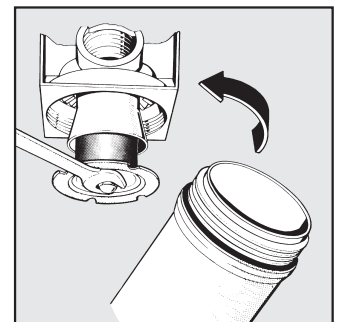
With the knob in the centre position, the drain is semi-automatic. The drain operates when the bowl is not pressurized and closes when it is.



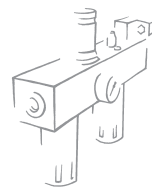
Press the button to drain condensate when the bowl is pressurized.



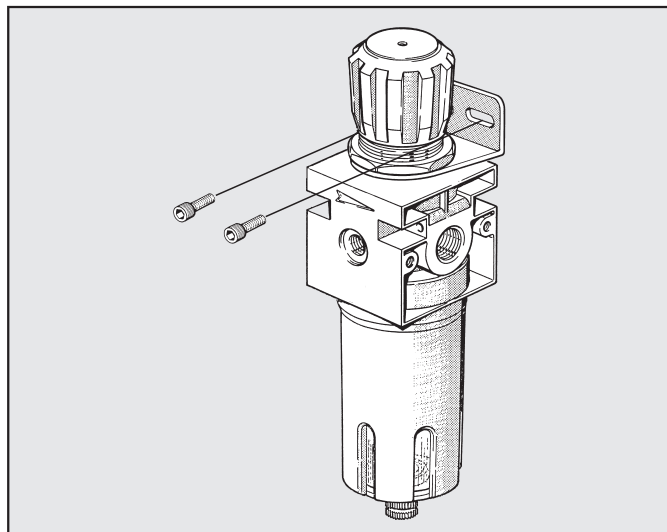
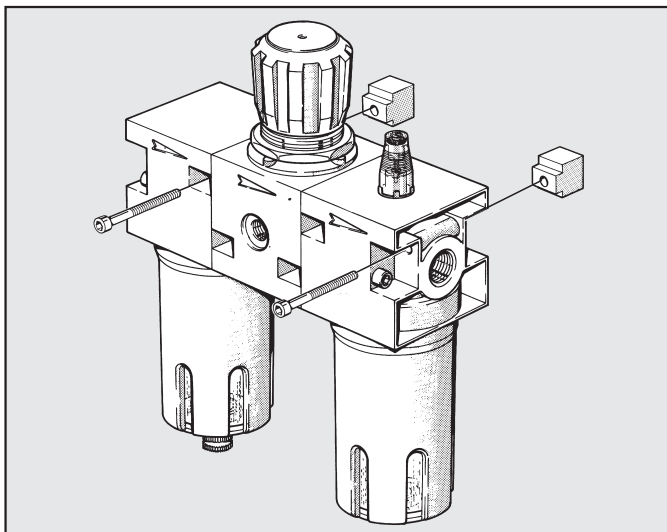
Turn the knob anticlockwise to close the valve with bowl pressurized or not pressurized.



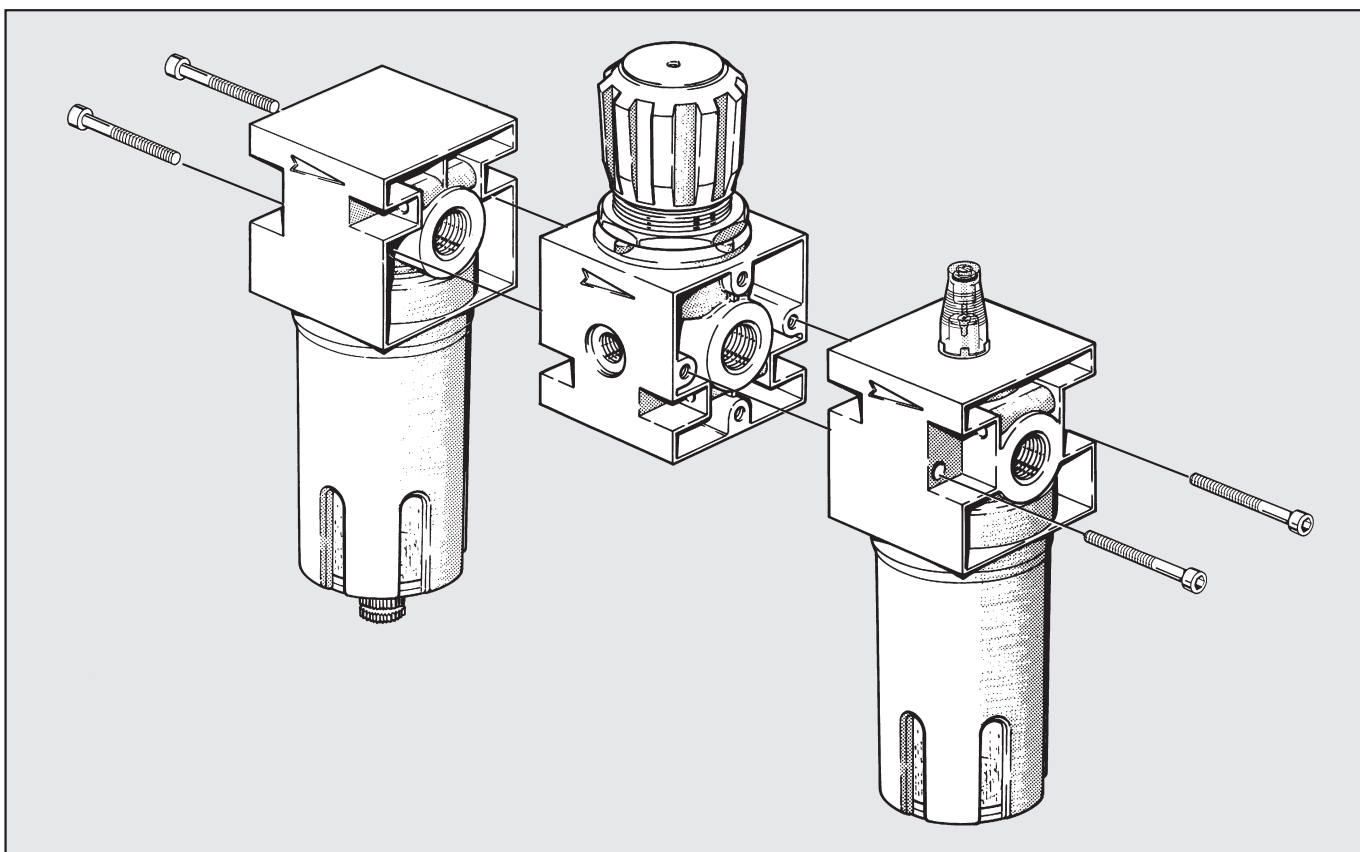
To clean or replace the filter element unscrew the screen of the centrifuge assembly. Use a no. 3 compass spanner to unscrew the bowl.



## WALL MOUNTING



## ASSEMBLY DIAGRAM



3

### ASSEMBLY TIE RODS

| Elements that can be assembled | 1/4  |         |              | 3/8-1/2 |         |               | 3/4-1 |         |            |
|--------------------------------|------|---------|--------------|---------|---------|---------------|-------|---------|------------|
|                                | Type | Code    | Ref.         | Type    | Code    | Ref.          | Type  | Code    | Ref.       |
| F/L+R/FR                       | A    | 9250001 | CVA 1/4 4x40 | A       | 9450001 | CVA 1/2 5x55  | A     | 9650001 | CVA 1 6x70 |
| V3V+R/FR                       | A    | 9250001 | CVA 1/4 4x40 | A       | 9450002 | CVA 1/2 5x60  |       |         |            |
| V3V+F/L+R/FR                   | A    | 9250002 | CVA 1/4 4x82 | A       | 9450003 | CVA 1/2 5x120 |       |         |            |
| F/L/D+F/L/D                    | B    | 9200901 | F+LT 1/4     | B       | 9400901 | F+LT 3/8-1/2  | B     | 9600901 | F+LT 3/4-1 |
|                                |      |         |              |         |         |               |       |         |            |
|                                |      |         |              |         |         |               |       |         |            |
|                                |      |         |              |         |         |               |       |         |            |

