

The units in the BIT range feature:

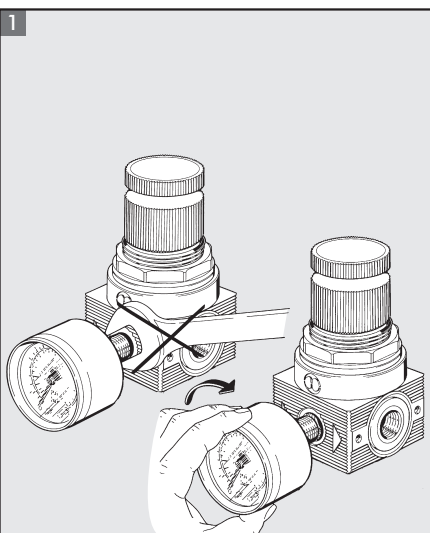
- reduced dimensions
- negligible load loss
- long life
- excellent quality-to-price ratio

Thanks to its technical features the BIT air treatment range is particularly suitable for de-centralized use near the final actuators.



TECHNICAL DATA	BIT 1/8"	BIT 1/4"
	Threaded port	1/8"
Degree of filtration	5µm (yellow) 20µm (white) 50µm (blue)	
Degree of purification	99.97% α 0.01µm	
Setting range	0÷2 - 0÷4 - 0÷8 - 0÷12	
Max. inlet pressure	bar	1.3
	MPa	13
	psi	188
Flow rate at 6.3 bar (0.63 MPa – 91 psi) ΔP 0.5 bar (0.05 MPa – 7 psi)	350 NI/min=12 scfm	
Fluid	Compressed air	
Max temperature at 1 MPa; 10 bar; 145 psi	°C	-10°-+50°
	°F	14°-122°
Elements	Filter – Regulator – Lubricator – Filter-regulator – Depurator	
Mounting	Units: FRL, FR+L, F+L, F+D	
Compatibility with oils	By means of the bracket provided please refer to page 6.1/08	

GENERAL RULES - USE AND MAINTENANCE

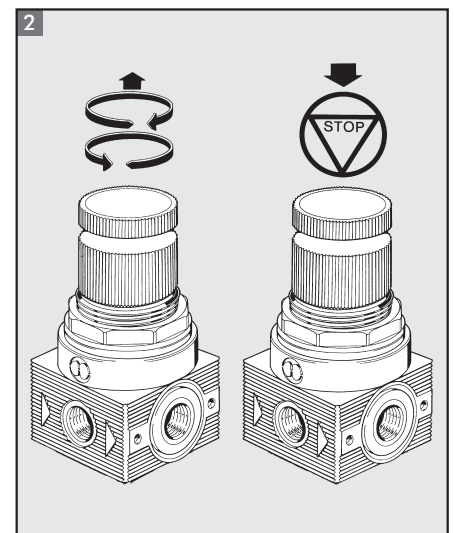


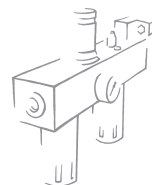
MOUNTING THE GAUGE

1 The gauge must be mounted by hand without using a spanner. Use fluid sealants to provide a good seal. N.B. Do not use Teflon.

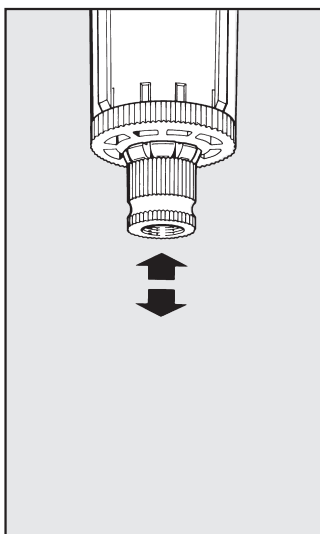
SETTING THE PRESSURE

2 The air pressure must always be set upwards. The knob can be locked so that the set pressure cannot be altered (see fig. 2).

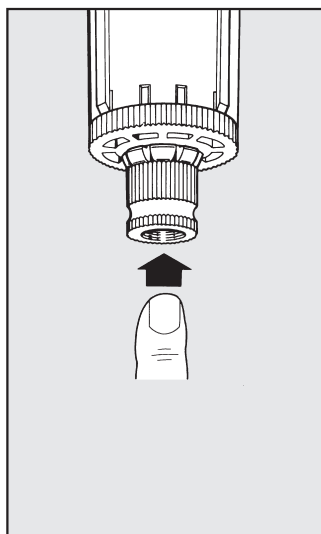




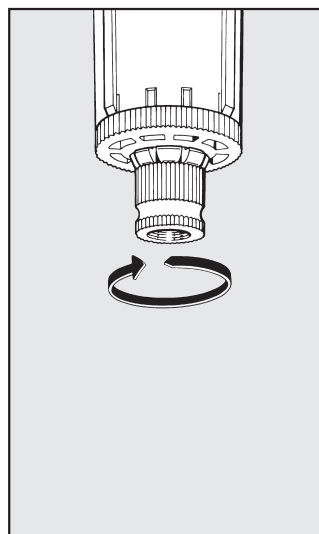
GENERAL RULES - USE AND MAINTENANCE



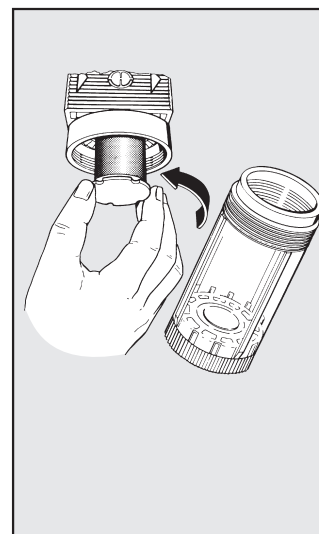
With the knob in the centre position, the drain is semi-automatic. The drain operates when the bowl is not pressurized and closes when it is.



Press the button to drain condensate when the bowl is pressurized.



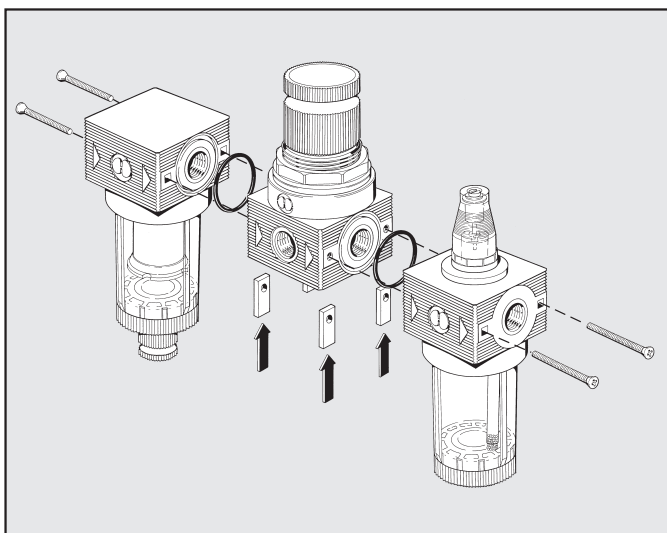
Turn the knob anticlockwise to close the valve with bowl pressurized or not pressurized.



To clean or replace the filter element unscrew the screen of the centrifuge assembly. Use a no. 3 compass spanner to unscrew the bowl.

3

ASSEMBLY



Use ASSEMBLY PLATES (code 9170201) to assemble the Bit elements correctly.

Assembly procedure:

- Fit the plates right into the slots under the body of the Bit element
- Check that there O-rings round the threaded outlet
- Assemble the elements, making sure that the flow run in the direction of the arrows marked on the body.