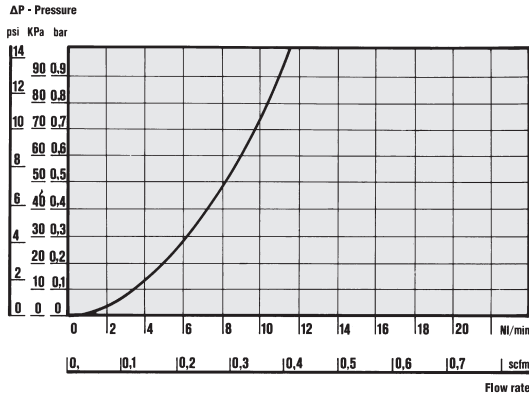


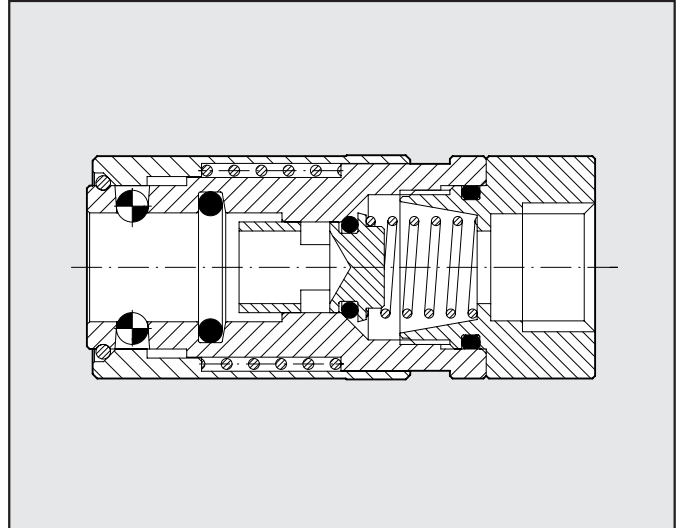
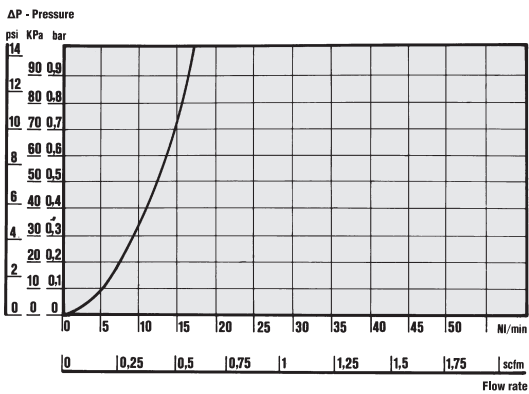


ICS WATER FLOW CHARTS WITH SAFETY VALVE

ICS/500 1/8"



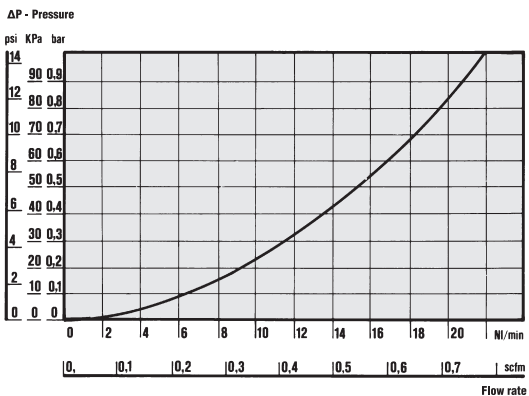
ICS/400 1/4"



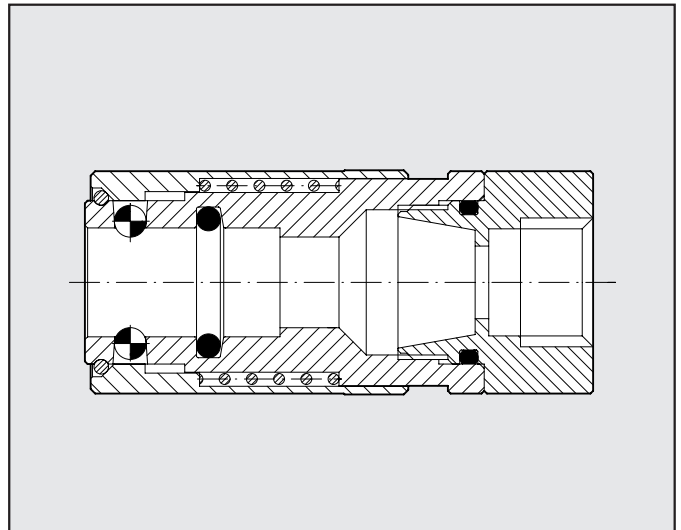
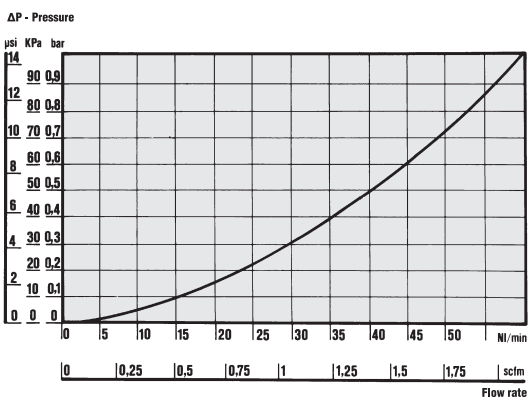
WITH SAFETY VALVE - The female body with safety valve prevents the outflow of thermoregulator fluid when coupling with or releasing from the mould.

ICS WATER FLOW CHARTS WITHOUT SAFETY VALVE

ICS/500 1/8"

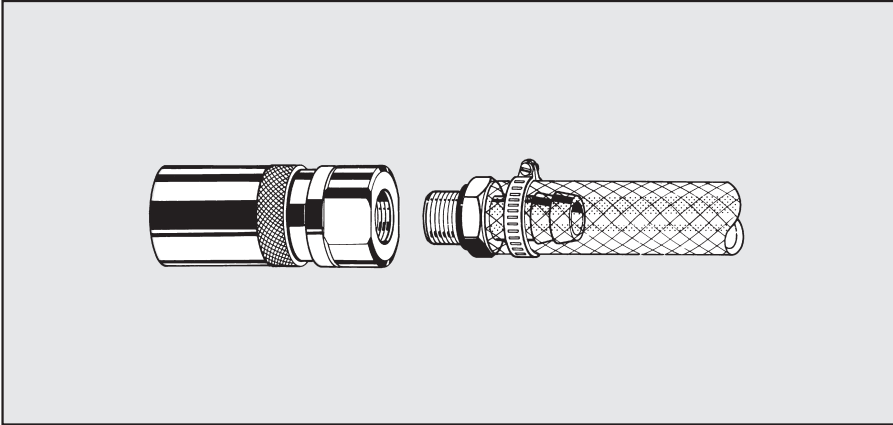


ICS/400 1/4"

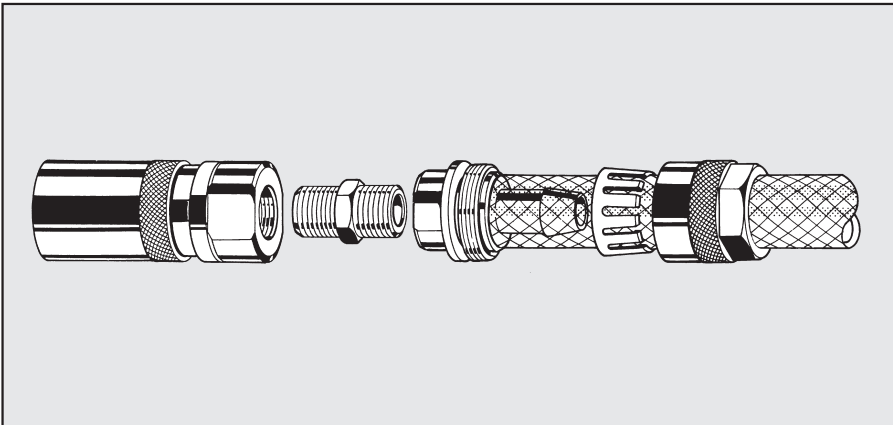


WITHOUT SAFETY VALVE - A version having a female body without a safety valve is available for when a high flow rate is required. This version allows a greater thermoregulator fluid flow rate but does not act as a fluid check valve when coupling with or releasing from the mould.

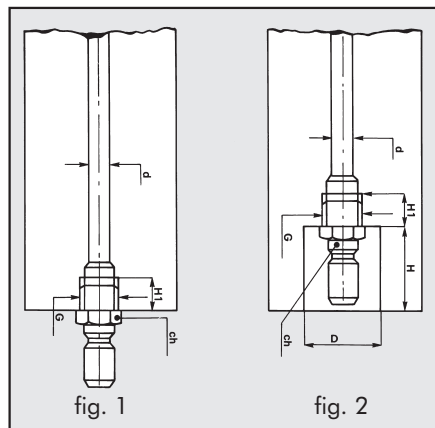
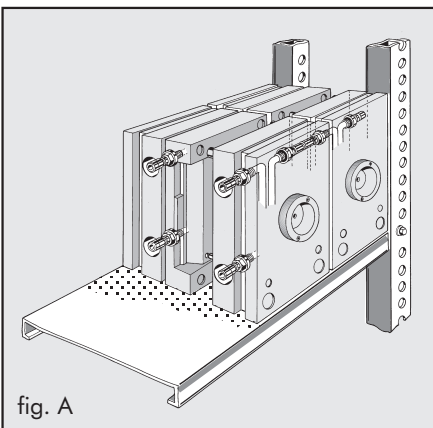
GENERAL FEATURES



Female body plus conventional hose fitting (pipe locked with metal circlip).

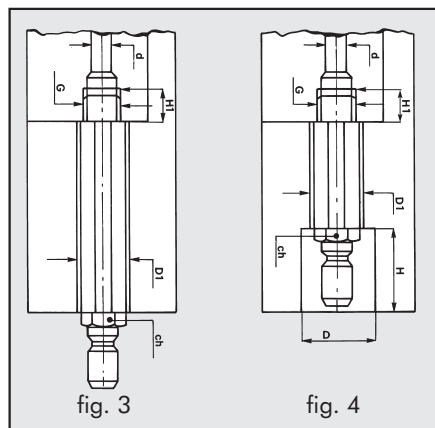
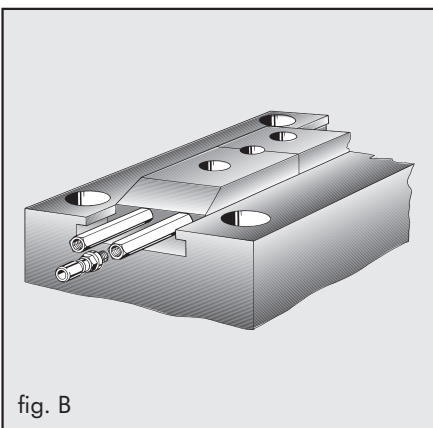


Female body plus self-locking hose fitting patented by Metal Work. When the outer ring nut is tightened, the gripper locks on the pipe.



The male fitting should be coupled with the mould so that it remains embedded (Fig. 2-4). This saves space and protects the coupling. The mould has no projecting parts, which would occupy more space on the storage shelving (Fig. A).

d	G	H1	ch	D	H
4/6	1/8	7	13	20	23
7/9	1/4	9	14	26	30



The Extension (see A25 fittings) is available as an accessory. It is extremely useful when parts inside the moulds need to be thermoregulated or when the presence of trucks makes it impossible to connect the moulds to the rubber pipe. (Fig. B).

d	G	H1	ch	D	H	D1
4/6	1/8	7	13	20	23	17
7/9	1/4	9	14	26	30	21



OVERALL DIMENSIONS AND ORDERING CODES

FEMALE PORT		Code	Ref.	F	Safety valve	CH1	P	L	E
	0601040	501V	1/8	yes	16	7.0	45.0	19.0	
	0501040	401V	1/4	yes	21	8.0	56.0	25.0	
	0600040	503V	1/8	no	16	7.0	45.0	19.0	
	0500040	403V	1/4	no	21	8.0	56.0	25.0	

MALE COUPLING		Code	Ref.	F	CH1	P	L	E	O-ring FKM/FPM
	0602001	511	1/8	13	6.0	28.5	15.0	2031	
	0502001	411	1/4	14	8.0	37.0	18.0	2043	

FEMALE COUPLING		Code	Ref.	F	CH1	P	L	E
	0602002	512	1/8	12	7.0	28.0	14	
	0502002	412	1/4	14	8.0	37.5	17	

NOTES									